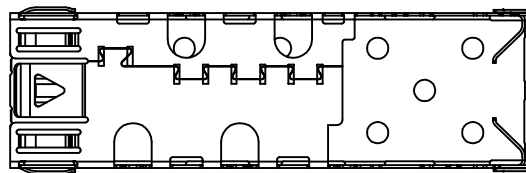
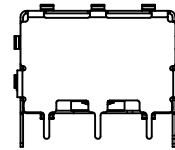
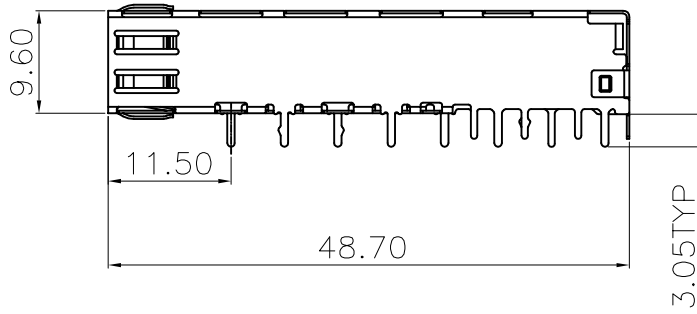
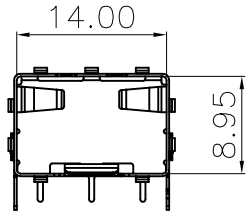
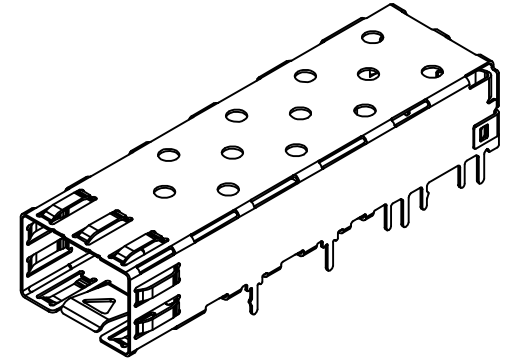
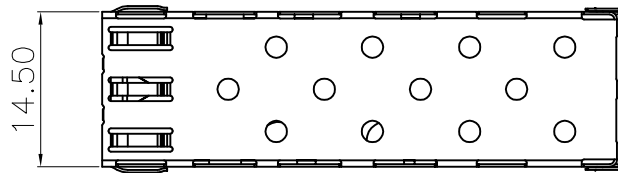
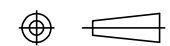


RoHS

REV.	ECN NO.	LOCATIONS	DESCRIPTION	DATE	DESIGN
A0			原始版本(INITIAL EDITION)		



NOTES:  
 1.MATERIAL:  
 STAINLESS STEEL THICKNESS:0.25mm  
 NICKEL PLATED



UNIT: mm [inch]

TOLERANCE:

X.X ±0.35  
 X.XX ±0.25  
 X.XXX ±0.15  
 Angle ±3.0°

SCALE:1:1 SIZE:A4



深圳市盈创利电子有限公司

Shenzhen Ying Chuang Li Electronics co., LTD.

DESIGN:

CHECKED:

APPROVED:

PART NAME:

SFP 1X1 SUS外壳 笼子 焊接式 无卡点

PART NO.

5G40-561S

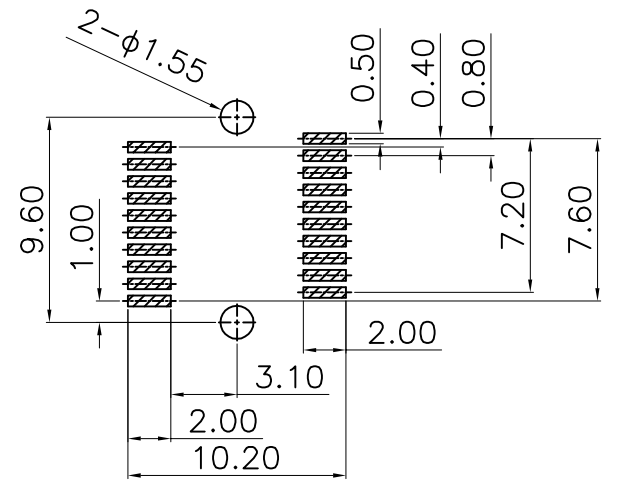
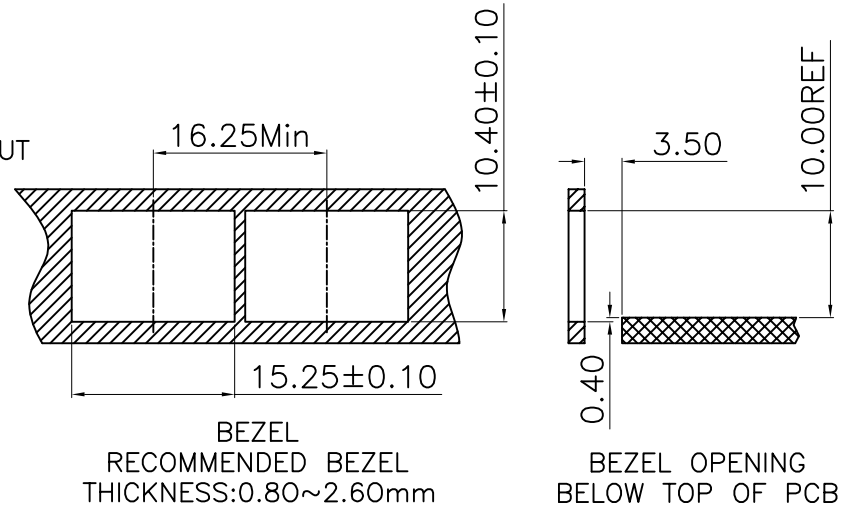
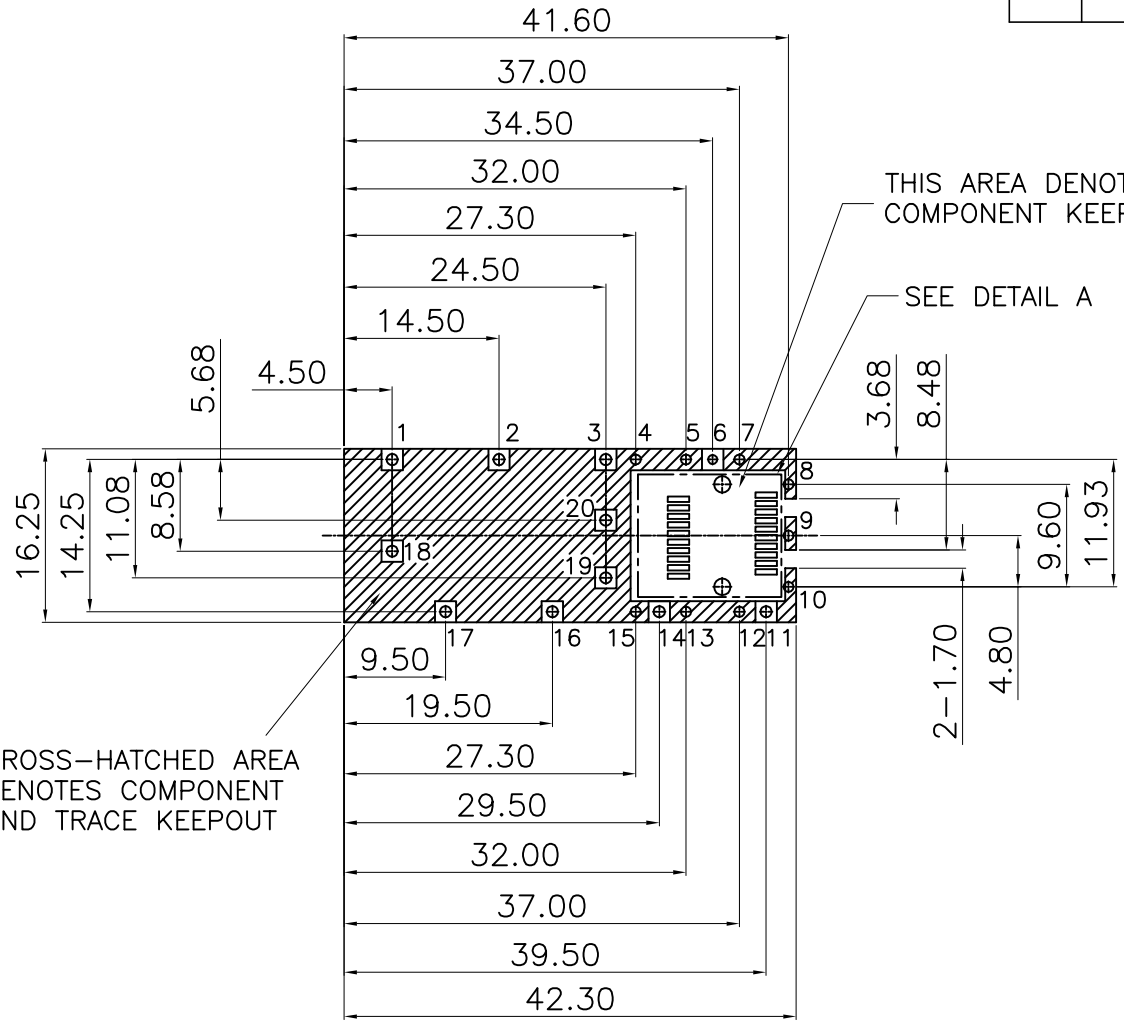
DRAW NO.

SHEET NO.

1 OF 2

RoHS

REV.	ECN NO.	LOCATIONS	DESCRIPTION	DATE	DESIGN
A0			原始版本(INITIAL EDITION)		



DETAIL A(SCALE 2:1)

1. RECOMMENDED PCB THICKNESS:2.36  
(MINIMUM PCB THICKNESS:1.57)  
(ALL TOLERANCES ARE 0.05)

1,2,3,11,14,16,17,18,19,20# φ 1.05mm;  
4,5,7,8,9,10,12,13,15# φ 0.95mm;  
6# φ 0.85mm;

<p>UNIT: mm [inch]</p> <p>TOLERANCE: X.X ±0.35 X.XX ±0.25 X.XXX ±0.15 Angle ±3.0°</p> <p>SCALE:1:1 SIZE:A4</p>	<p>深圳市盈创利电子有限公司 Shenzhen Ying Chuang Li Electronics co., LTD.</p>	
	DESIGN:	PART NAME: SFP 1X1 SUS外壳 笼子 焊接式 无卡点
	CHECKED:	PART NO. 5G40-561S
	APPROVED:	DRAW NO. SHEET NO. 2 OF 2