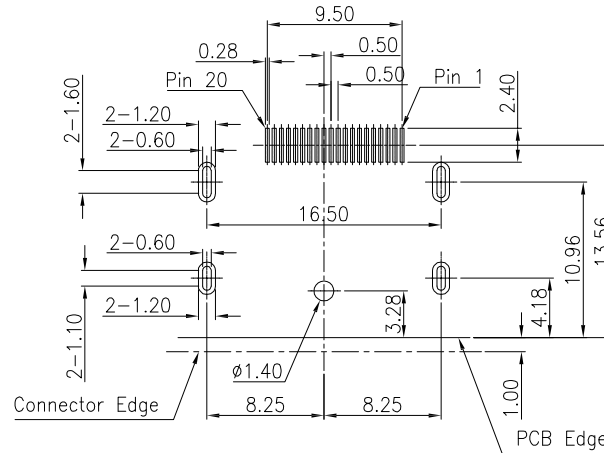
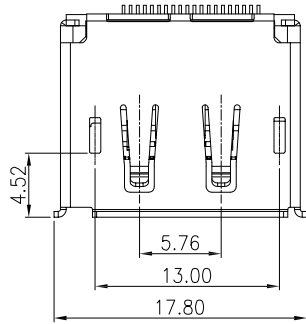
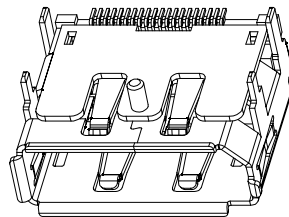
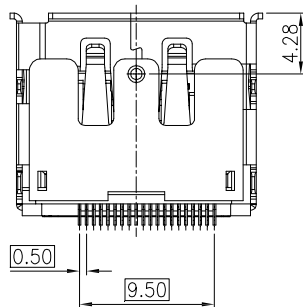
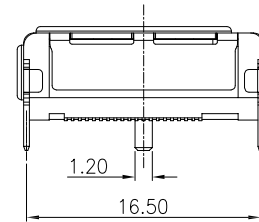
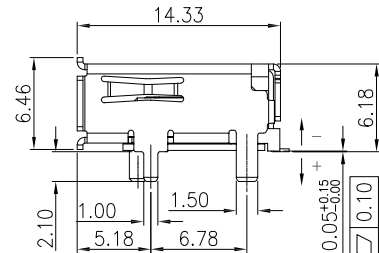
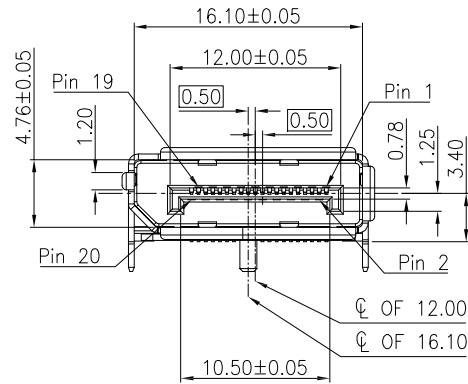


RoHS

REV.	ECN NO.	LOCATIONS	DESCRIPTION	DATE	DESIGN
AO			原始版本(INITIAL EDITION)		



RECOMMENDED PCB LAYOUT
(THICKNESS=1.6±0.15mm)



NOTE:

A. MATERIAL:

1. Housing: LCP(HF) UL94V-0 Black
2. Cover: LCP(HF) UL94V-0 Black
3. Contact: Copper Alloy T=0.20
4. Shell: Copper Alloy T=0.40

B. PLATING:

1. Contact: Contact Area Gold Plated
Solder Area Sn Plated
Under Plated Nickel
2. Shell: Nickel Plated

C. SPECIFICATION:

1. Current: 0.5A
2. Voltage: 40V RMS
3. Withstanding Voltage: 500V AC
4. Contact Resistance: 30 mΩ max. (Contact)
50 mΩ max. (Shell)
5. Insulation Resistance: 100 MΩ min.
6. Temperature Range: -20°C to +85°C
7. Mating And unmating Force:
 - 7.1 Mating Force: 4.5Kgf(44.1N)Max.
 - 7.2 Unmating Force: 1.0Kgf~4.0Kgf(9.8N~39.2N)
8. Durability: 10000 Cycles

UNIT: mm [inch]

TOLERANCE:
X.X ±0.35
X.XX ±0.25
X.XXX ±0.15
Angle ±3.0°

SCALE:1:1 SIZE:A4



深圳市盈创利电子有限公司
Shenzhen Ying Chuang Li Electronics co., LTD.

DESIGN:

PART NAME:

DP SMT 直脚 有柱

CHECKED:

PART NO. 5G40-247A

APPROVED:

DRAW NO.

SHEET NO.