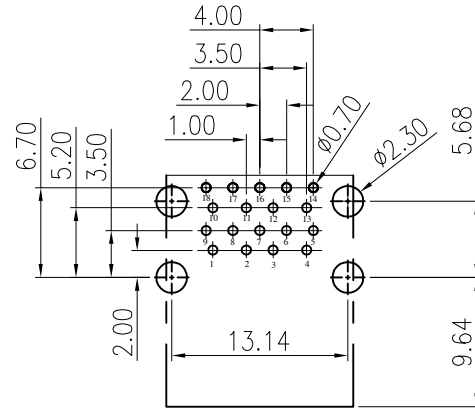
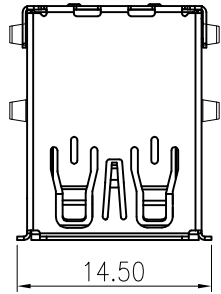


RoHS

REV.	ECN NO.	LOCATIONS	DESCRIPTION	DATE	DESIGN
A0			原始版本(INITIAL EDITION)		



RECOMMENDED P.C.B HOLE LAYOUT
TOP VIEW(TOLERANCE:±0.05)

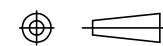
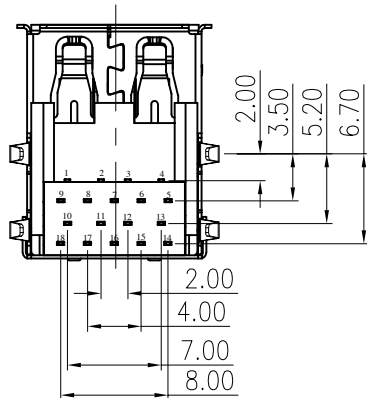
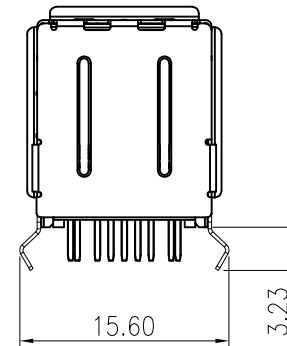
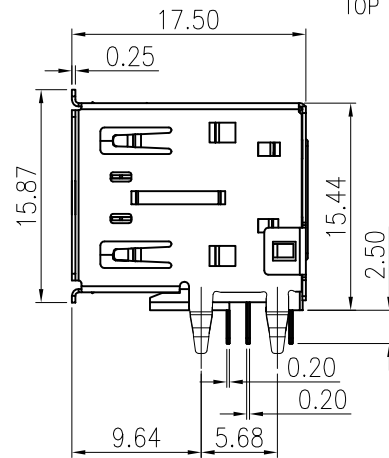
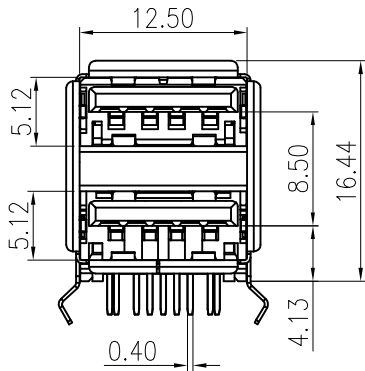
NOTE:

A. MATERIAL:

1. Housing: PBT Blue
2. Cover: PBT Blue
3. Contact: Copper Alloy
4. Shell: SUS201
5. Middle Spring: SUS201

B. PLATING:

1. Contact: Contact Area Gold Plated
Solder Area Sn(80u"Min) Plated
Under Plated Nickel(45u"Min)
2. Shell:
 - a) Nickel(40u"Min) Plated
 - b) Matte Tin(60u"Min) Plated On
Solder Tails Over Nickel(30u"Min)



UNIT: mm [inch]

TOLERANCE:

- X.X ±0.35
- X.XX ±0.25
- X.XXX ±0.15
- Angle ±3.0°

SCALE:1:1 SIZE:A4



深圳市盈创利电子有限公司
Shenzhen Ying Chuang Li Electronics co., LTD.

DESIGN:

CHECKED:

APPROVED:

PART NAME:

双层USB 3.0 90度 DIP

PART NO.

5G40-350B

DRAW NO.

SHEET NO.

1 OF 1