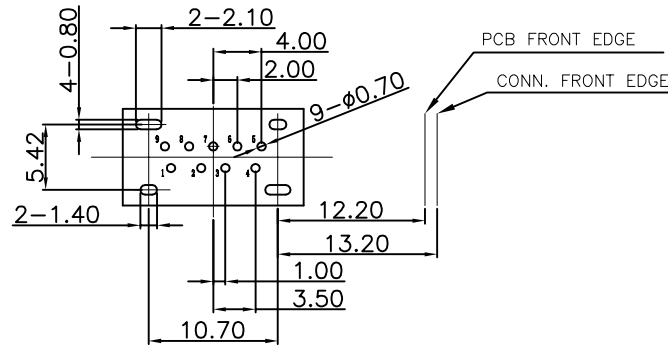
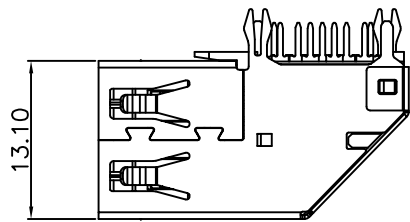
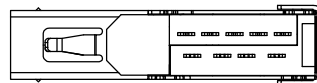
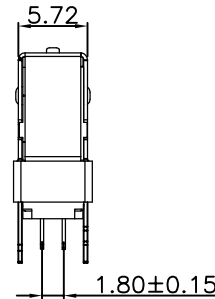
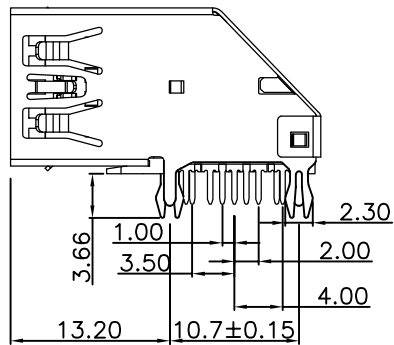
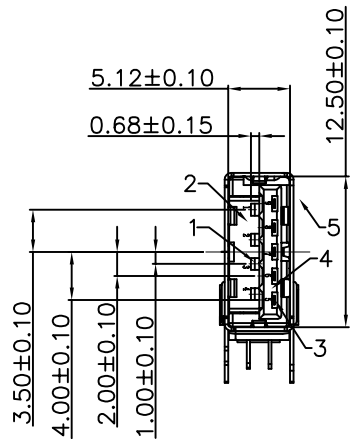
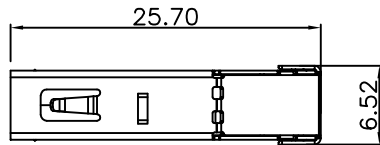


RoHS

REV.	ECN NO.	LOCATIONS	DESCRIPTION	DATE	DESIGN
A0			原始版本(INITIAL EDITION)		



PCB LAYOUT (TOP VIEW)



NOTES:

1. ELECTRONIC:

CONTACT RESISTANCE: 30mohm MAX  
 INSULATION RESISTANCE: 1000 Mohm MIN  
 WITHSTAND VOLTAGE: AC 500V, 1min.

2. MECHANICAL:

DURABILITY: 5000 CYCLE.

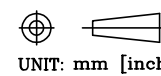
3. ENVIRONMENT CHARACTERISTICS:

OPERATING TEMPERATURE: -55° C TO +105° C

4. RECOMMANDER PCB THICKNESS 1.2 TO 1.60MM

5. PART NO:

5	SHELL	1	SUS201 T=0.30	NI PLATED
4	5PIN	5	COPPER ALLOY	G.F AU/TIN PLATED
3	4PIN	4	COPPER ALLOY	G.F AU/TIN PLATED
2	COVER	1	LCP 蓝	BLUE
1	HOUSING	1	LCP 蓝	BLUE
No.	PART NAME	QTY	MATERIAL	REMARK



UNIT: mm [inch]  
 TOLERANCE:  
 X.X ±0.35  
 X.XX ±0.25  
 X.XXX ±0.15  
 Angle ±3.0°

SCALE:1:1 SIZE:A4



深圳市盈创利电子有限公司  
 Shenzhen Ying Chuang Li Electronics co., LTD.

DESIGN: 黄宝樑

CHECKED:

APPROVED:

PART NAME:  
 LCP 蓝胶 无卷边B款(常规款)  
 半金锡G.F 盐雾24H

PART NO. 5U07-126C

DRAW NO.

SHEET NO. 1 OF 1