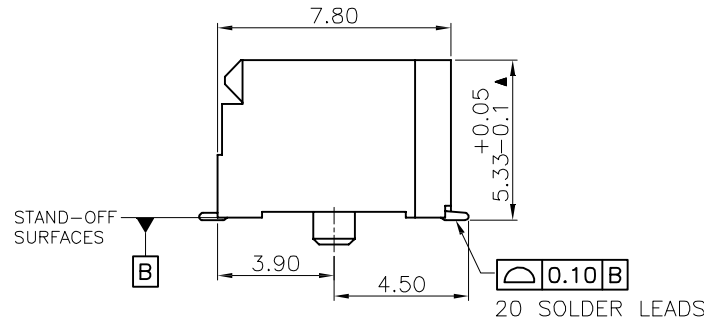
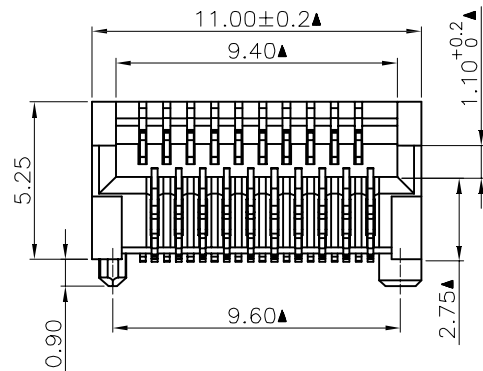
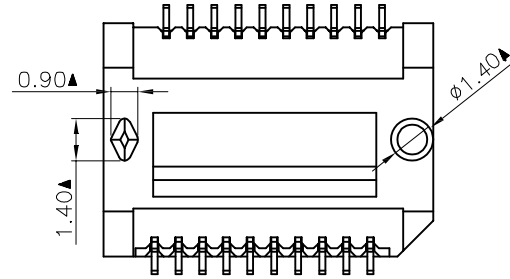
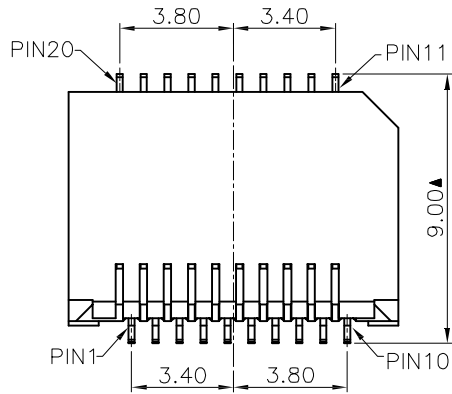


RoHS

REV.	ECN NO.	LOCATIONS	DESCRIPTION	DATE	DESIGN
A0			原始版本(INITIAL EDITION)		





NOTE:

MATERIAL:

1. TERMINAL: COPPER ALLOY PLATED GOLD 15U"
2. HOUSING: LCP UL 94V-0. COLOR: BLACK

MECHANICAL REQUIREMENT:

1. DURABILITY: 100 CYCLES MIN.
2. INSERTION AND EXTRACTION FORCE: 40N MAX & 11.5N M-ENVIRONMENTAL:
3. CONTACT RESISTANCE: 20 MILLIOHMS MAX INITIAL.
4. DIELECTRIC WITHSTANDING VOLTAGE: 300V AC/MIN.
5. OPERATION: -40°C~+85°C.
6. STORAGE: -55°C~+105°C.
7. REFLOW SOLDERING TEMPERATURE: 255~265° MAXIMUM FOR 5~10 SECONDS.
8. ROHS COMPLIANT

 UNIT: mm [inch]	 <b>深圳市盈创利电子有限公司</b> Shenzhen Ying Chuang Li Electronics co., LTD.	
	DESIGN:	PART NAME: SFP+20P内芯 镀全金 15U"
TOLERANCE: X.X ±0.35 X.XX ±0.25 X.XXX ±0.15 Angle ±3.0°	CHECKED:	PART NO. 5G40-532A
SCALE:1:1 SIZE:A4	APPROVED:	DRAW NO.
		SHEET NO. 1 OF 1

RoHS

REV.	ECN NO.	LOCATIONS	DESCRIPTION	DATE	DESIGN
AO			原始版本(INITIAL EDITION)		

TOP VIEW

Centerline of Datum A

Dimensions: 4-1.30±0.05, 2-0.90±0.05, 4-0.50±0.05, 0.80, 3.80, 3.40, 10-0.60±0.05, 3.50Min., 20, 11

Dimensions: 1.00±0.1, 2-C0.3

Bottom VIEW

Centerline of Datum A



Dimensions: 6.50Ref., 3.50Min., 10-0.60, 0.8, 3.80, 7.20, 9.20±0.1, 3-0.50±0.05, 7-1.30±0.05, 10, 1

RECOMMENDED LAYOUT  
MATING PCB SIDE

RECOMMENDED PCB LAYOUT(TOP VIEW)

(ALL TOLERANCES ARE ±0.05)

Dimensions: 20-2.00±0.1, 7.20, 0.80, 0.40, PIN20, PIN11, 8.20, 4.10, 2-φ1.55±0.05, PIN1, 0.80, 1.40, 7.20, 20-0.50±0.05, 9.60, φ0.08 | A | B

 UNIT: mm [inch]	 <b>深圳市盈创利电子有限公司</b> Shenzhen Ying Chuang Li Electronics co., LTD.	
	DESIGN:	PART NAME: SFP+20P内芯 镀全金 15U"
	CHECKED:	PART NO. 5G40-532A
	APPROVED:	DRAW NO.
SCALE:1:1 SIZE:A4	SHEET NO. 1 OF 1	