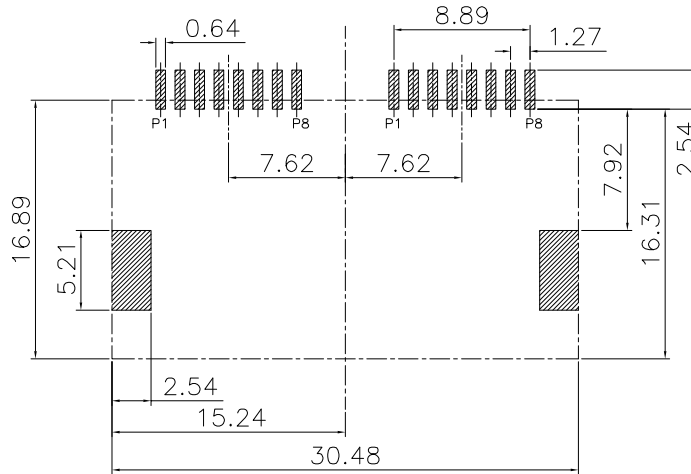
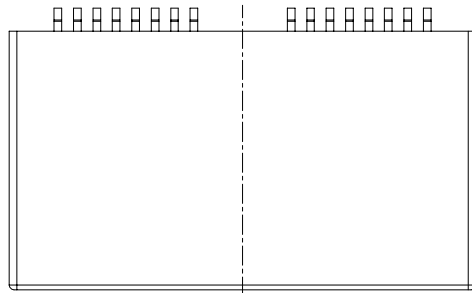


RoHS

REV.	ECN NO.	LOCATIONS	DESCRIPTION	DATE	DESIGN
A0			原始版本(INITIAL EDITION)	2023.12.09	纪



RECOMMENDED P.C.B LAYOUT
TOP VIEW (COMPONENT SIDE)

SPECIFICATION NOTES:

ELECTRICAL:

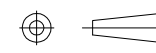
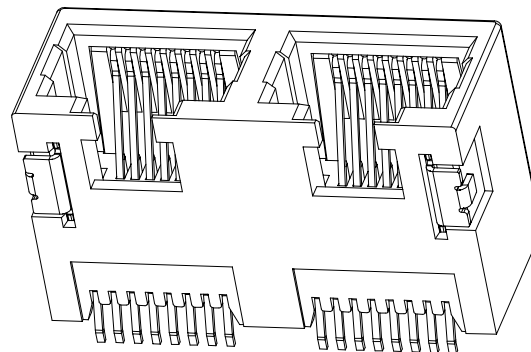
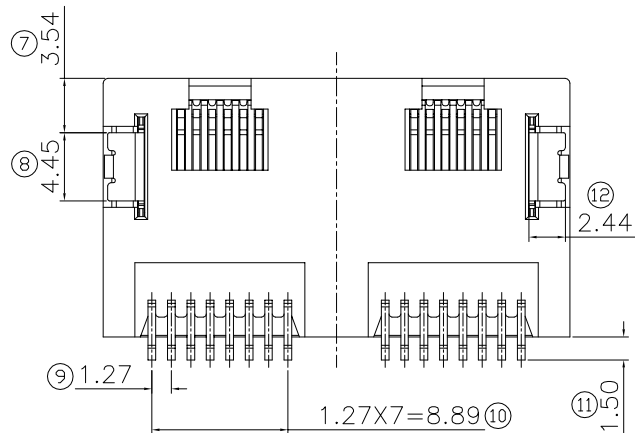
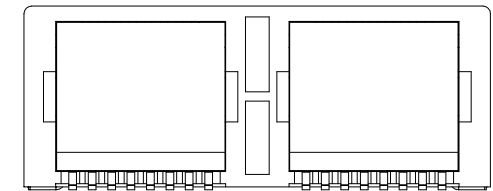
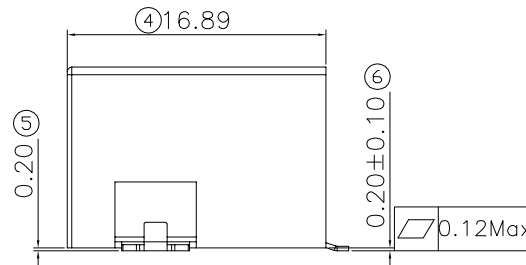
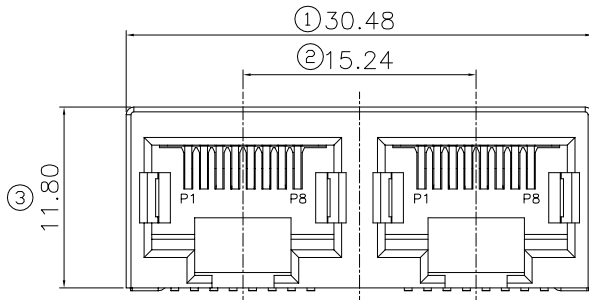
- VOLTAGE RATING:150 VAC RMS
- CURRENT RATING:1.5AMP
- CONTACT RESISTANCE:20mΩ MAX
- INSULATION RESISTANCE:500mΩ MIN AT 500V DC
- DIELECTRIC STRENGTH:1500 V AC TO 1000 V AC RMS@ 0.5mA 50Hz TO 60Hz 1 MINUTE

MECHANICAL:

- HOUSING/INSERT MATERIAL:THERMOPLASTIC, LCP UL94V-0 RATED,COLOR BLACK
- CONTACT TERMINAL:Phosphor bronze T=0.30 PLATING NI30-50U", SN 100U"MIN. CONTENT AREA PLATED GOLD
- SMT PIN MATERIAL:Copper Alloy T=0.40 PLATED NI30-50U", SN100U"MIN
- OPERATING LIFE:750 CYCLES MIN.
- MATING/UNMATING FORCE:30N MAX
- RETENTION STRENGTH:50N FOR60S±5S.

ENVIRONMENTAL:

- STORAGE:-40℃ TO +85℃ RELATIVE HUMIDITY<80%.
- OPERATION:-40℃ TO +85℃



UNIT: mm [inch]

TOLERANCE:

- X.X ±0.35
- X.XX ±0.25
- X.XXX ±0.15
- Angle ±3.0°

SCALE:1:1 SIZE:A4



深圳市盈创利电子有限公司
Shenzhen Ying Chuang Li Electronics co., LTD.

DESIGN:

CHECKED:

APPROVED:

PART NAME:

RJ45 90度 SMT 1X2 全塑

PART NO.

5A27-295B

DRAW NO.

SHEET NO.

1 OF 1