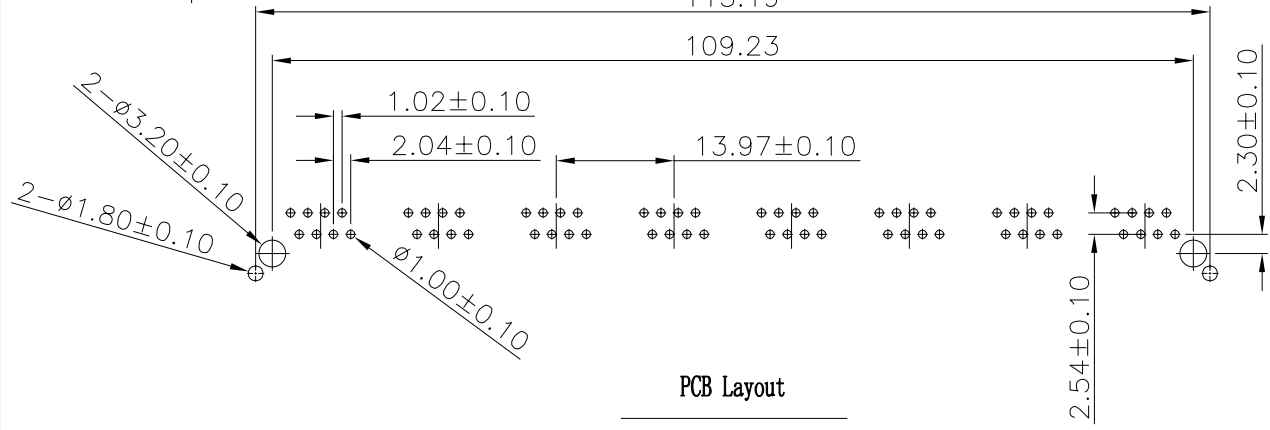
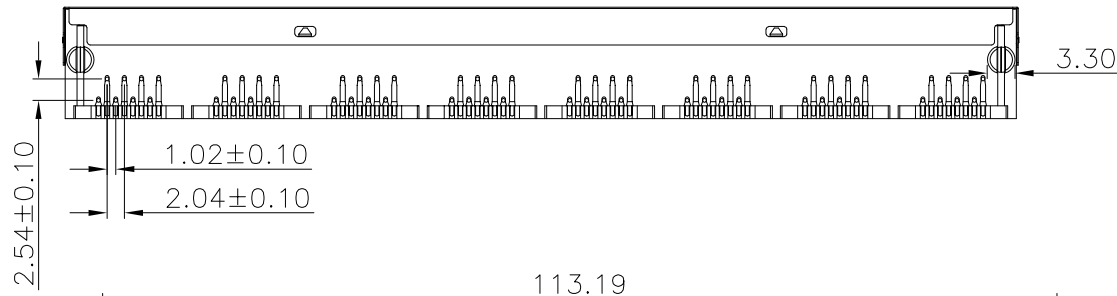
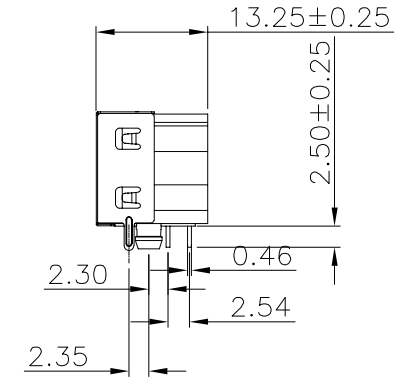
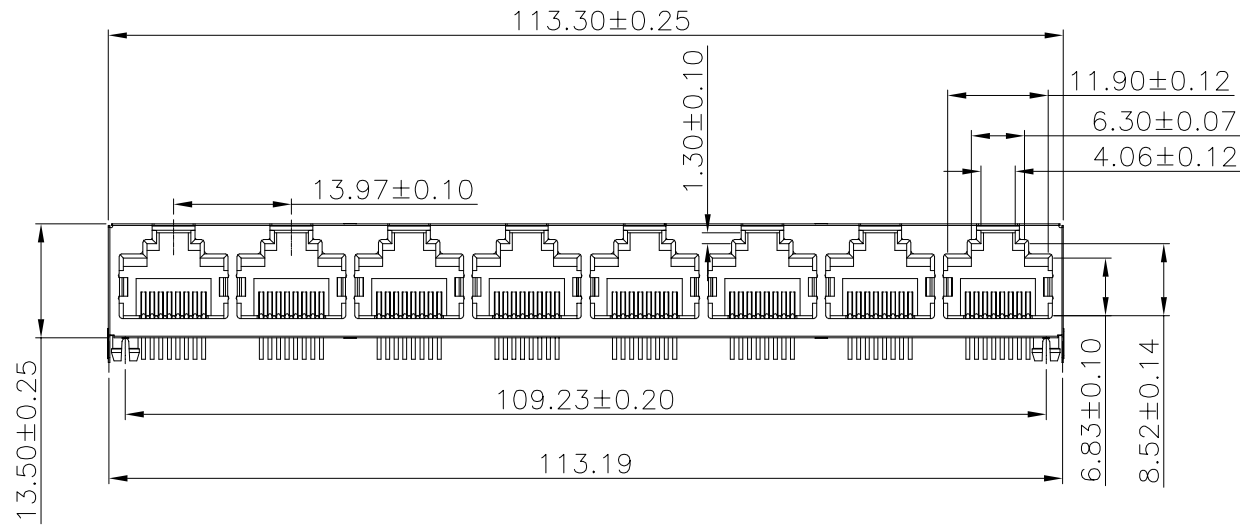


RoHS

REV.	ECN NO.	LOCATIONS	DESCRIPTION	DATE	DESIGN
A0			原始版本(INITIAL EDITION)		



PRODUCT SPECIFICATION

- ELECTRICAL:**
- INSULATION RESISTANCE: 500 MEGOHMS MIN @ 500V DC
 - DIELECTRIC WITHSTANDING RESISTANCE: 1000V AC RMS 50HZ 1MIN
 - CONTACT RESISTANCE: 50 MILLIOHMS MAX
 - VOLTAGE RATING: 125 VAC RMS
 - CURRENT RATING: 1.5 AMP
- MECHANICAL:**
- DURRABIILYY: 750 CYCLES MIN
 - PCB RETENTION PRE-SOLDER: 1 LB MIN
- ENVIRONMENTAL:**
- STORAGE: -40-85°C
 - OPERATION: 0-70°C
 - HUMIDITY: <80%
- MATERIAL:**
- HOUSINGS: PBT BLACK UL94V-0
 - SHELL: COPPER ALLOY PLATING NICKEL.
 - CONTACTS: ∅0.46mm PHOSPHOR BRONZE, GOLD PLATING OVER NICKEL.

 UNIT: mm [inch]	深圳市盈创利电子有限公司 Shenzhen Ying Chuang Li Electronics co., LTD.	
	DESIGN:	PART NAME:
	CHECKED:	RJ41 1X8 半包无灯 黑色
	APPROVED:	PART NO. 5A41-108C
TOLERANCE: X.X ±0.35 X.XX ±0.25 X.XXX ±0.15 Angle ±3.0°	SCALE: 1:1	SIZE: A4
	SHEET NO.	1 OF 1