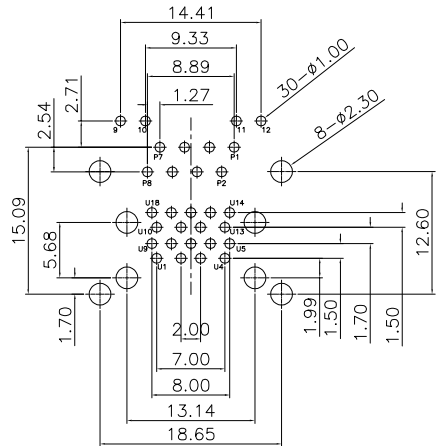
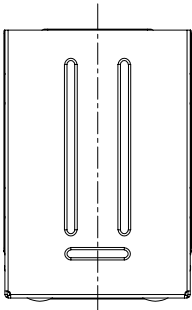


RoHS

REV.	ECN NO.	LOCATIONS	DESCRIPTION	DATE	DESIGN
A0			原始版本(INITIAL EDITION)		



Notes:

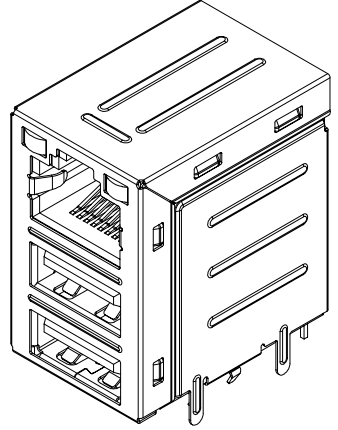
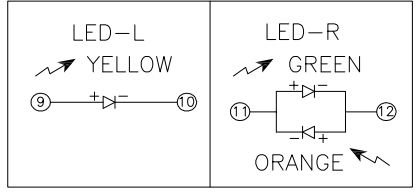
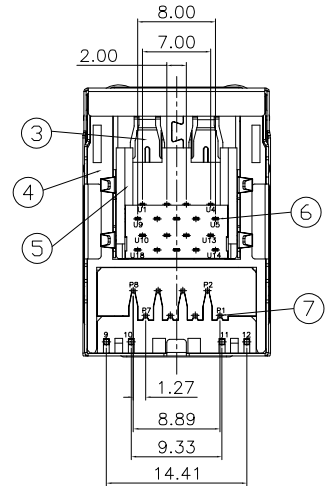
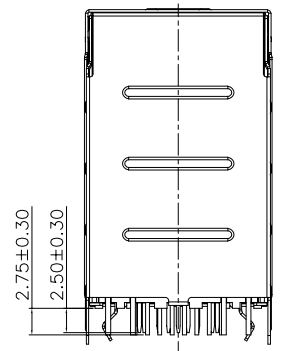
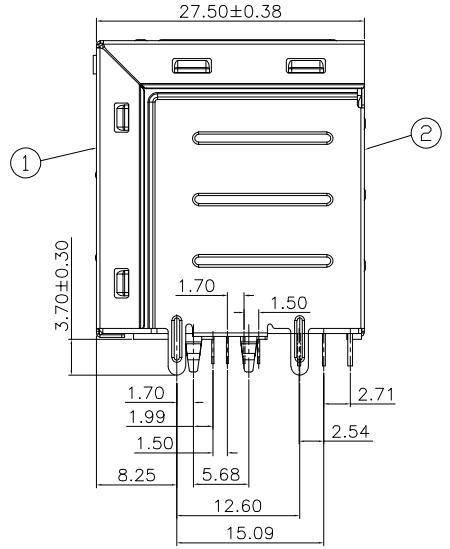
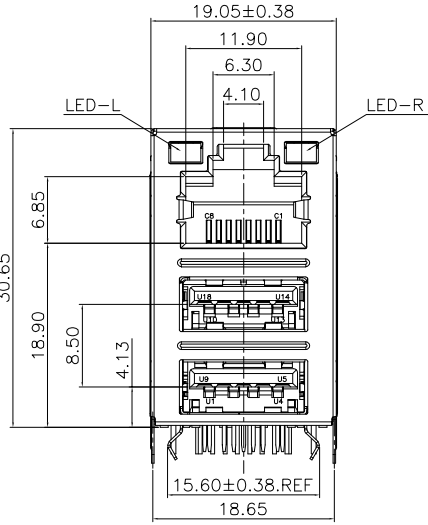
- RJ45:Electrical performance
1. Rated voltage:125 VAC RMS
  2. Rated current:1.5AMP
  3. Contact resistance:30MΩ Max
  4. Insulation resistance:500MΩ Min AT 500V DC
  5. DIELECTRIC STRENGTH:1000V AC TO 1000V DC RMS@ 0.5mA 50Hz TO 60Hz 1 Minute
- RJ45:Mechanical performance:
1. Durability:750 cycles generally.
  2. Insertion/Removal force:22N Max
  3. Retention strength:50N For60s±5s.

- USB:Mechanical performance
1. Insertion force :35N Max
  3. Removal force:1N Min
  3. Durability:1500 cycles.

- USB:Electrical performance
1. Insulation resistance:100MΩ Min
  2. Dielectric Withstanding Voltage:100VAC @1min

Environment:

1. Storage temperature:-40℃ TO +85℃ Relative humidity<80%.
2. Operating temperature:-40℃ TO +85℃



RJ45 Pin definition:

Pin Number	Name	Description
1	TX+	Tranceive Data+
2	TX-	Tranceive Data-
3	RX+	Receive Data+
4	N/C	Not connected
5	N/C	Not connected
6	RX-	Receive Data-
7	N/C	Not connected
8	N/C	Not connected

USB Pin definition:

Pin Number	Signal Name	Pin Number	Signal Name
1	Vbus	10	Vbus
2	D-	11	D-
3	D+	12	D+
4	Gnd	13	Gnd
5	Stda-ssrx-	14	Stda-ssrx-
6	Stda-ssrx+	15	Stda-ssrx+
7	Gnd-drain	16	Gnd-drain
8	Stda-ssstx-	17	Stda-ssstx-
9	Stda-ssstx+	18	Stda-ssstx+
Shell	Shield	Shell	Shield

QTY	ITEM	Material	Remarks
7	RJ45 Terminal	Phosphor bronze T=0.30	Underplating: Nickel plated 40u"min Contact area: Gold plated FU Solder Tail: 80u"min. Bright Tin
6	USB Terminal	Copper alloy T=0.20	Underplating: Nickel plated 40u"min Contact area: Gold plated FU Solder Tail: 80u"min. Mist Tin
5	USB Housing	PBT UL94V-0 Color:Blue	
4	Bracket	PBT UL94V-0 Color:Black	
3	USB shell	Stainless steel T=0.25 Nickel plated 30u"min	
2	Back shell	Stainless steel T=0.25 Nickel plated 30u"min	
1	Front shell	Stainless steel T=0.25 Unplating	

UNIT: mm [inch]

TOLERANCE:  
X.X ±0.35  
X.XX ±0.25  
X.XXX ±0.15  
Angle ±3.0'

SCALE:1:1 SIZE:A4

**深圳市盈创利电子有限公司**  
Shenzhen Ying Chuang Li Electronics co., LTD.

DESIGN: \_\_\_\_\_ PART NAME: RJ45+双层USB3.0(新款) LED左黄右绿橙

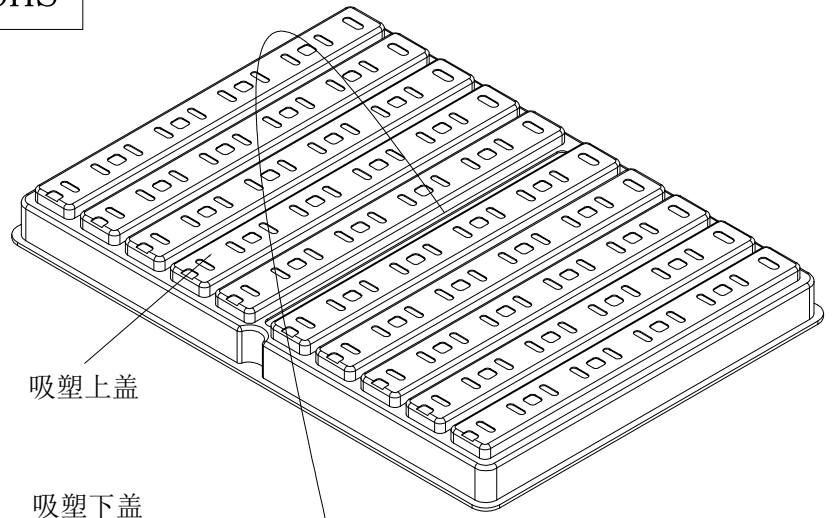
CHECKED: \_\_\_\_\_ PART NO. 5A36-582A

APPROVED: \_\_\_\_\_ DRAW NO. \_\_\_\_\_

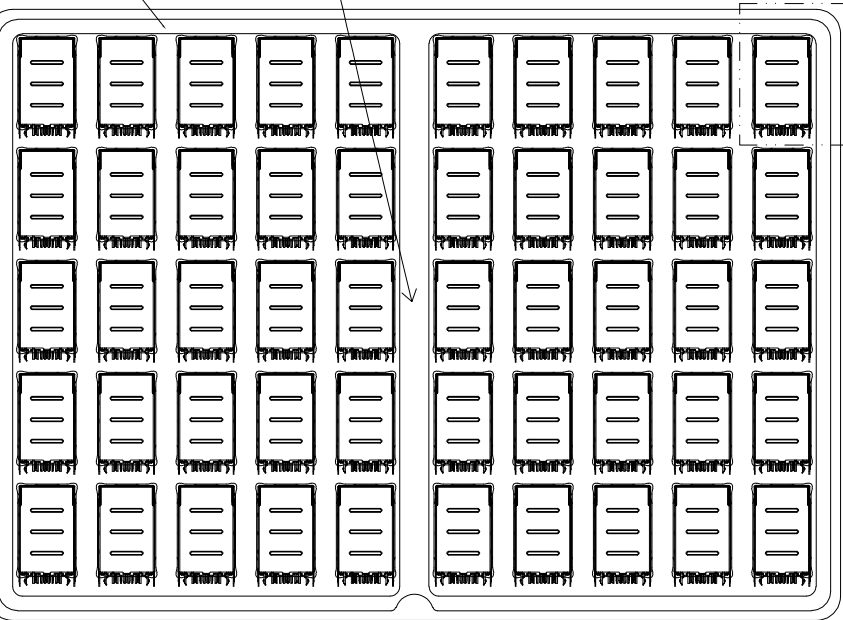
SHEET NO. 1 OF 1

RoHS

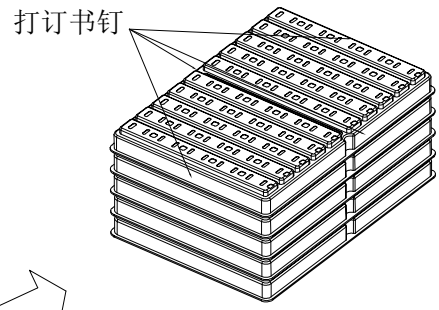
REV.	ECN NO.	LOCATIONS	DESCRIPTION	DATE	DESIGN
A0			原始版本(INITIAL EDITION)		



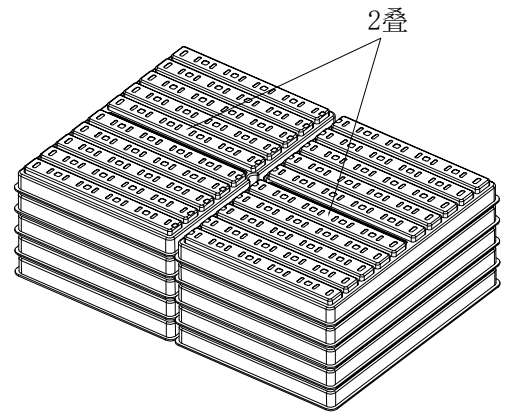
吸塑上盖  
吸塑下盖



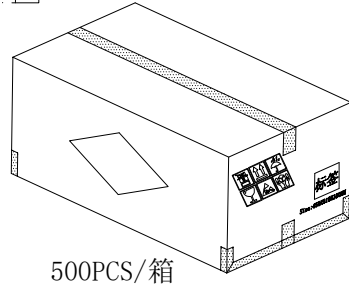
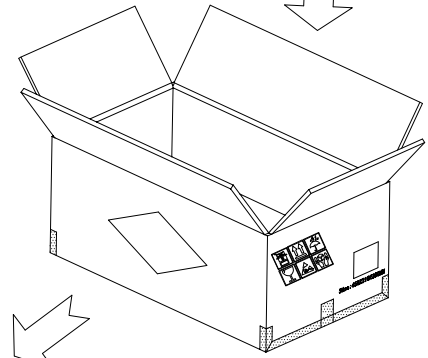
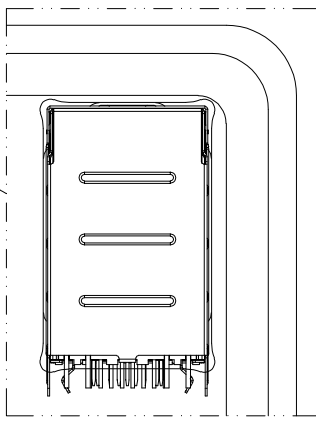
50PCS/盘



5盘/叠



2叠



500PCS/箱

要求:

1. 吸塑盒310\*230\*33mm, 不可有破损, 50PCS/盘。
2. 纸箱450\*310\*180mm, 材质: K=K, 不可有破损。
3. 将装好产品的5个吸塑盒整齐叠放在一起, 打好订书钉共两叠500PCS, 再放入纸箱中, 用透明胶纸封好纸箱。

<p>UNIT: mm [inch]</p> <p>TOLERANCE:</p> <p>X.X ±0.35</p> <p>X.XX ±0.25</p> <p>X.XXX ±0.15</p> <p>Angle ±3.0°</p> <p>SCALE:1:1 SIZE:A4</p>	<p>深圳市盈创利电子有限公司</p> <p>Shenzhen Ying Chuang Li Electronics co., LTD.</p>	
	DESIGN:	PART NAME:
	CHECKED:	RJ45+双层USB3.0(新款) 包装规范
	APPROVED:	PART NO. 5A36-582A
	DRAW NO.	
	SHEET NO.	1 OF 1