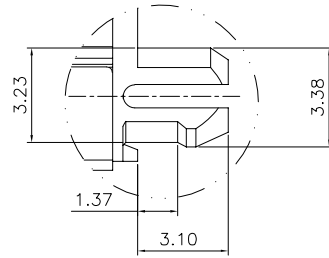
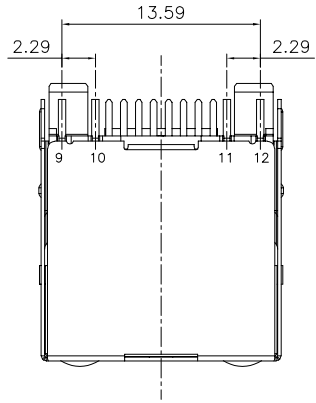
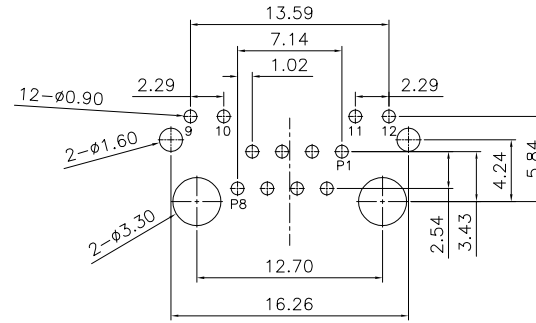


RoHS

REV.	ECN NO.	LOCATIONS	DESCRIPTION	DATE	DESIGN
A0			原始版本(INITIAL EDITION)		



DETAIL-A
SCALE 2:1



RECOMMENDED P.C.B LAYOUT
TOP VIEW (COMPONENT SIDE)

SPECIFICATION NOTES:

ELECTRICAL:

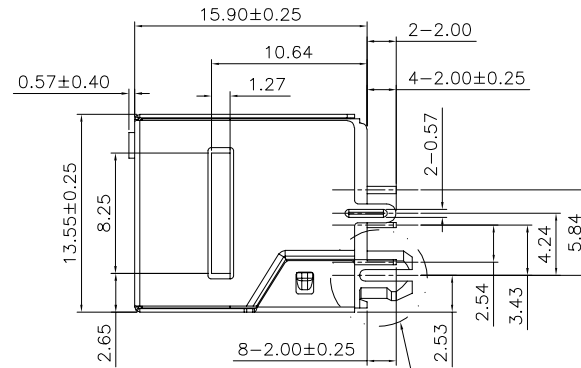
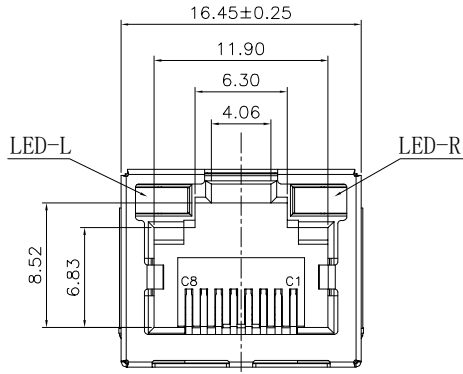
- VOLTAGE RATING:125 VAC RMS
- CURRENT RATING:1.5AMP
- CONTACT RESISTANCE:30mΩ MAX
- INSULATION RESISTANCE:500mΩ MIN AT 500V DC
- DIELECTRIC STRENGTH:1000 V AC TO 1000 V DC
RMS@ 0.5mA 50Hz TO 60Hz 1 MINUTE

MECHANICAL:

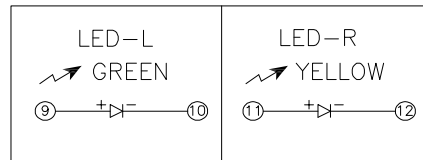
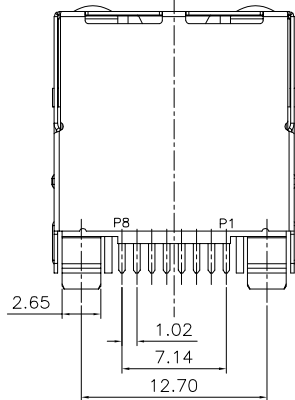
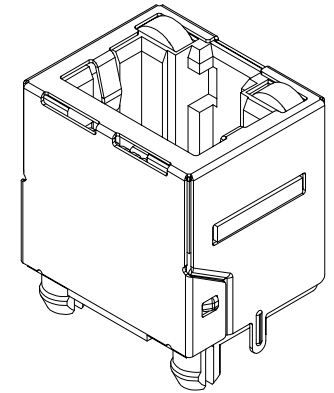
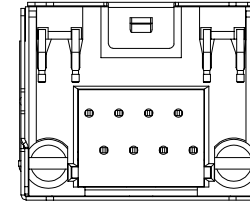
- SHIELD: COPPER ALLOY THICKNESS=0.25mm PLATING NI
- HOUSING MATERIAL: PA9T UL94V-0 BLACK
- CONTACT TERMINAL: PHOSPHOR BRONZE THICKNESS=0.35mm
PLATING NI30-50U". SN 80U"MIN.
CONTENT AREA PLATED GOLD
- OPERATING LIFE: 750 CYCLES MIN.
- MATING/UNMATING FORCE: 22N MAX

ENVIRONMENTAL:

- STORAGE: -40°C TO +85°C RELATIVE HUMIDITY<80%.
- OPERATION: -40°C TO +85°C



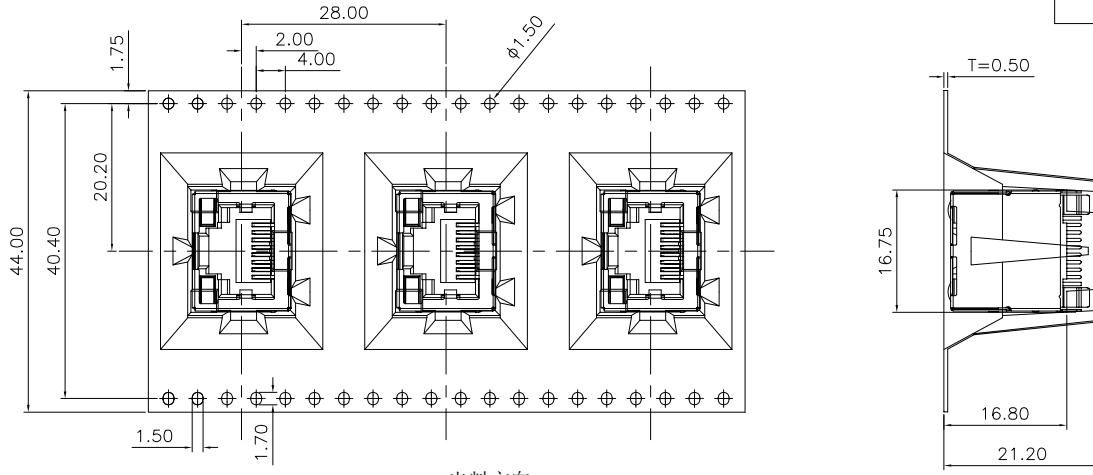
DETAIL-A



 UNIT: mm [inch] TOLERANCE: X.X ±0.35 X.XX ±0.25 X.XXX ±0.15 Angle ±3.0° SCALE:1:1 SIZE:A4	深圳市盈创利电子有限公司 Shenzhen Ying Chuang Li Electronics co., LTD.	
	DESIGN:	PART NAME:
	CHECKED:	RJ45 180度 MINI 8P8C DIP 带屏蔽 有灯 针脚长2.0
	APPROVED:	PART NO. 5A31-301D
	DRAW NO.	
	SHEET NO.	1 OF 1

RoHS

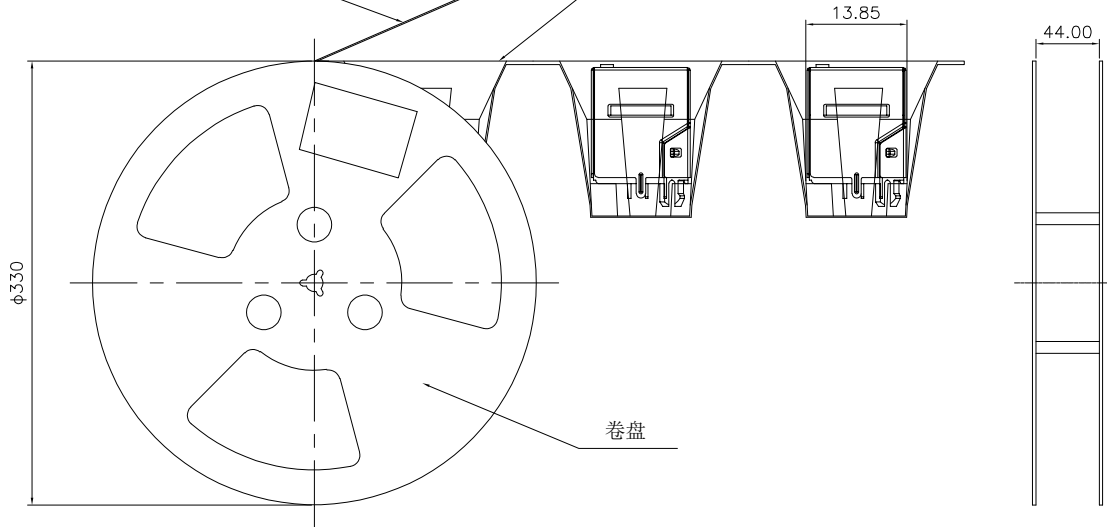
REV.	ECN NO.	LOCATIONS	DESCRIPTION	DATE	DESIGN
A0			原始版本(INITIAL EDITION)		



出料方向
TAPE RUNNING
DIRECTION

自粘带

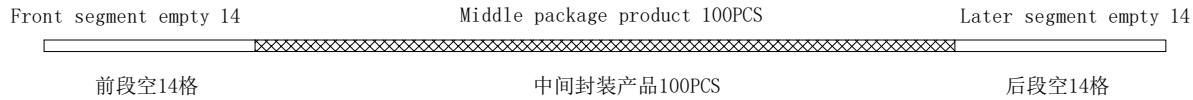
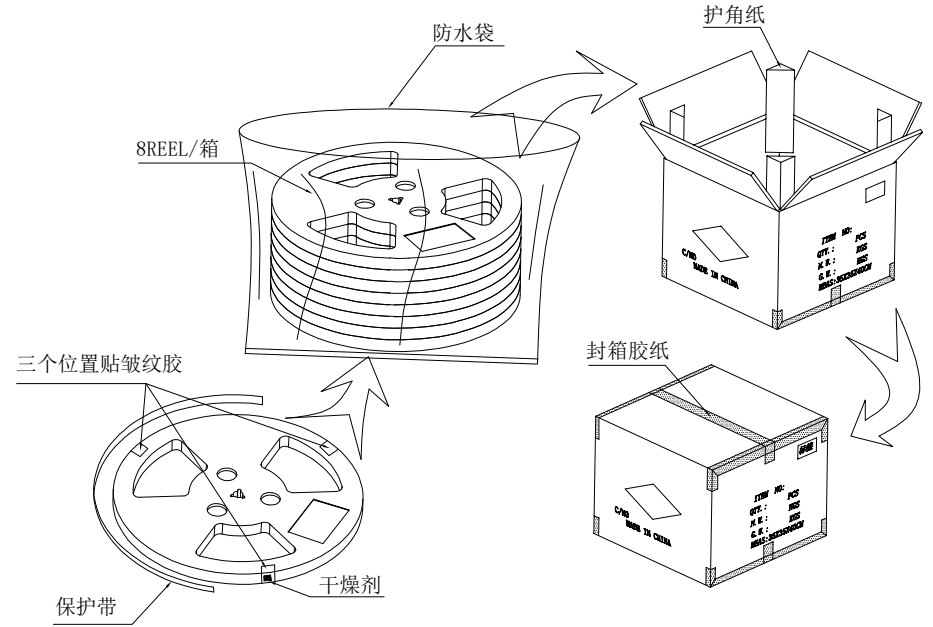
载带



备注:

1. 包装数量100PCS/卷; 8卷800PCS/箱
当订单量和不足时, 可以合理选择纸箱规格
2. 纸箱封盖后用封箱胶纸封箱, 并于侧面贴出货标签
3. 外箱规格: 35X35X40CM
卷盘规格: $\phi 330 \times 44.00$ MM

序号	包装名称	数量	单位
6	外纸箱	1	PCS
5	护角纸	4	PCS
4	防水袋	1	PCS
3	干燥剂	8	PCS
2	保护带	8	SET
1	卷盘/载带/自粘带	8	SET



<p>UNIT: mm [inch]</p> <p>TOLERANCE:</p> <p>X.X ±0.35</p> <p>X.XX ±0.25</p> <p>X.XXX ±0.15</p> <p>Angle ±3.0°</p> <p>SCALE:1:1 SIZE:A4</p>	<p>深圳市盈创利电子有限公司 Shenzhen Ying Chuang Li Electronics co., LTD.</p>	
	DESIGN:	PART NAME:
	CHECKED:	RJ45 180度 MINI 8P8C DIP 包装规范
	APPROVED:	PART NO. 5A31-301D
	DRAW NO.	
	SHEET NO.	1 OF 1