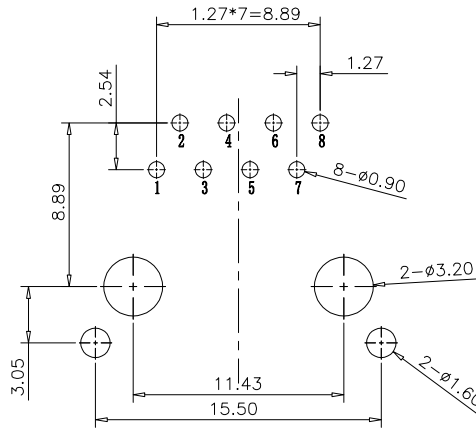
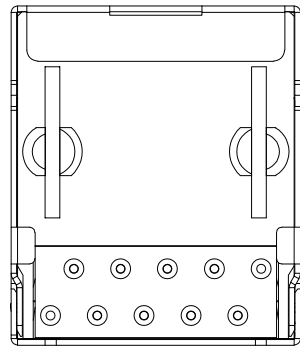
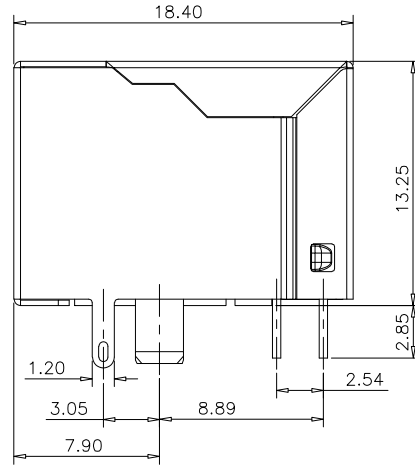
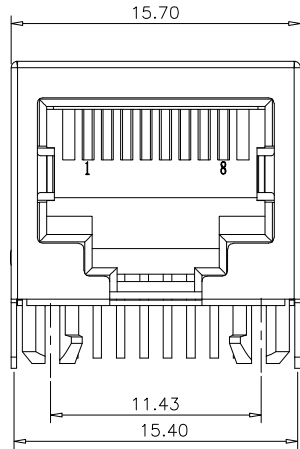


RoHS

REV.	ECN NO.	LOCATIONS	DESCRIPTION	DATE	DESIGN
A0			原始版本(INITIAL EDITION)		



RECOMMENDED P.C.B LAYOUT
TOP VIEW (COMPONENT SIDE)

NOTES:

ELECTRICAL:

1. VOLTAGE RATING: 125V AC.
2. CURRENT RATING: 1.5A.
3. CONTACT RESISTANCE: 30 mΩ MAX.
4. INSULATION RESISTANCE: 500 MΩ MIN @ 500V DC.
5. DIELECTRIC STRENGTH: 1000V AC 50Hz or 60Hz, 1MIN.

MECHANICAL:

1. INSERT MATERIAL: PBT BLACK
2. SHELL: SPCC
3. CONTACT MATERIAL: DIAMETER 0.46mm C51000(QSn4-0.3) PHOSPHOR BRONZE GOLD PLATING OVER NICKEL.
4. MATING/UNMATING FORCE: 2.2KG.F MAX.
5. RETENTION STRENGTH: 7.7KG.F MIN BETWEEN JACK AND PLUG.
6. OPERATING LIFE: 750 CYCLES MIN.

ENVIRONMENTAL:

1. STORAGE: -40°C ~ +85°C RELATIVE HUMIDITY<70%.
2. OPERATION: -40°C ~ +85°C.

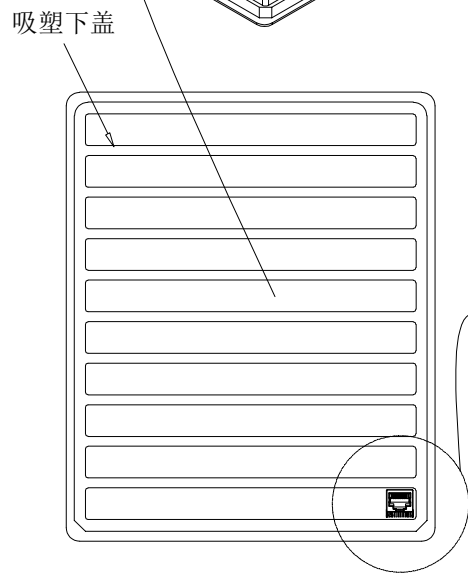
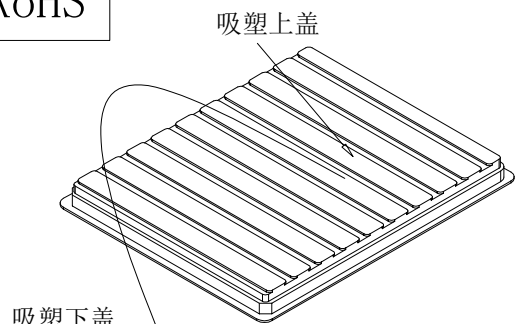
RJ45 Pin definition:

Pin位	Name	Description
1	TX+	Tranceive Data+
2	TX-	Tranceive Data-
3	RX+	Receive Data+
4	N/C	Not connected
5	N/C	Not connected
6	RX-	Receive Data-
7	N/C	Not connected
8	N/C	Not connected

 UNIT: mm [inch]	 深圳市盈创利电子有限公司 Shenzhen Ying Chuang Li Electronics co., LTD.	DESIGN:		PART NAME:	
		CHECKED:		RJ45 5621 10P8C 无灯铁壳	
TOLERANCE: X.X ±0.35 X.XX ±0.25 X.XXX ±0.15 Angle ±3.0°		APPROVED:		PART NO.	5A30-056B
SCALE:1:1 SIZE:A4				DRAW NO.	
				SHEET NO.	1 OF 1

RoHS

REV.	ECN NO.	LOCATIONS	DESCRIPTION	DATE	DESIGN
A0			原始版本(INITIAL EDITION)		

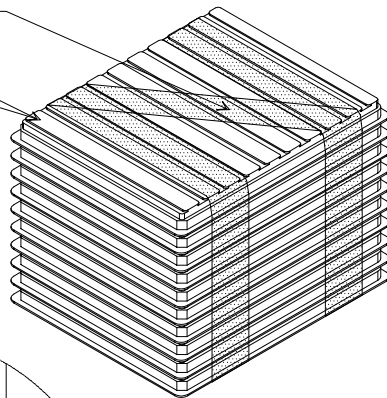


100PCS/盘

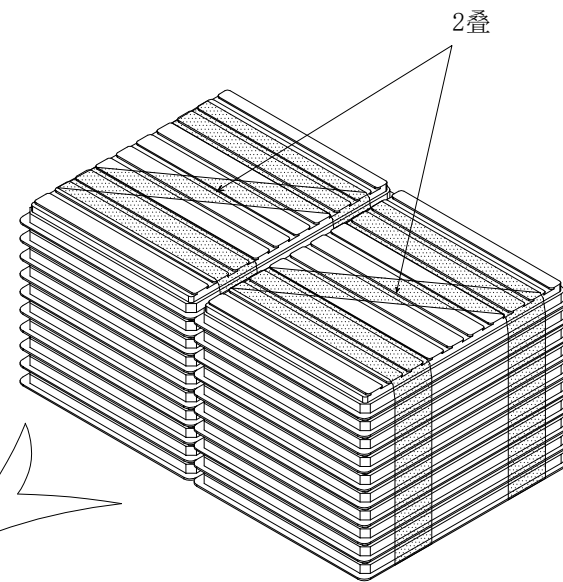
PE膜捆N字形



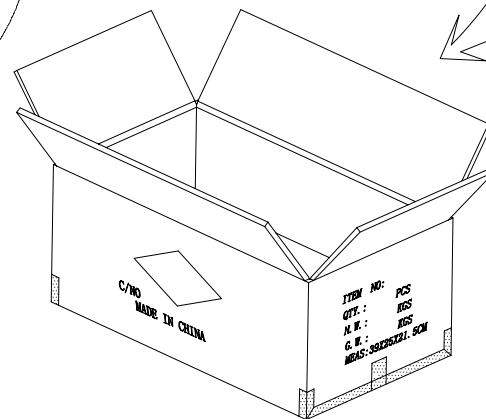
每盘左下角贴ROHS标签以及QC编号



10盘/叠

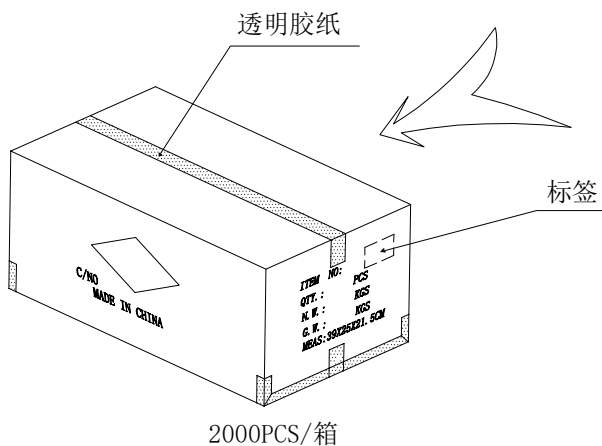


2叠



备注:

1. 纸箱材质:K=A;规格390X250X215MM
2. 每盘包装数量: 100PCS/盘
3. 每箱包装数量: 100X20=2000PCS/箱
4. 将装好产品的10个吸塑盒整齐叠放在一起, 每盘左下角贴ROHS标签以及QC编号;PE膜捆N字形共两叠2000PCS,放入纸箱中,用透明胶纸封好纸箱。



2000PCS/箱

 UNIT: mm [inch]	深圳市盈创利电子有限公司 Shenzhen Ying Chuang Li Electronics co., LTD.	
	DESIGN:	PART NAME: RJ45 5621 包装图
TOLERANCE: X.X ±0.35 X.XX ±0.25 X.XXX ±0.15 Angle ±3.0°	CHECKED:	PART NO. 5A30-056B
APPROVED:		DRAW NO.
SCALE:1:1 SIZE:A4		SHEET NO. 1 OF 1