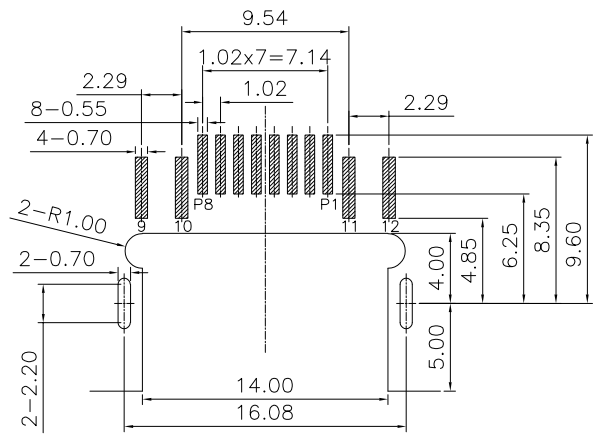
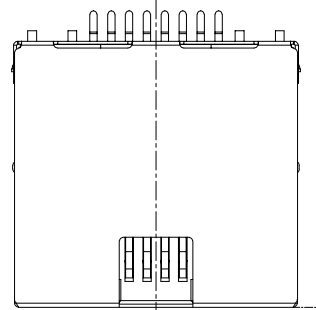


RoHS

REV.	ECN NO.	LOCATIONS	DESCRIPTION	DATE	DESIGN
A0			原始版本(INITIAL EDITION)		



RECOMMENDED P.C.B LAYOUT
TOP VIEW (COMPONENT SIDE)

SPECIFICATION NOTES:

ELECTRICAL:

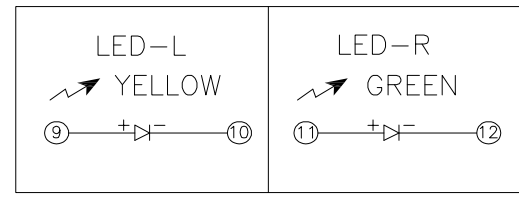
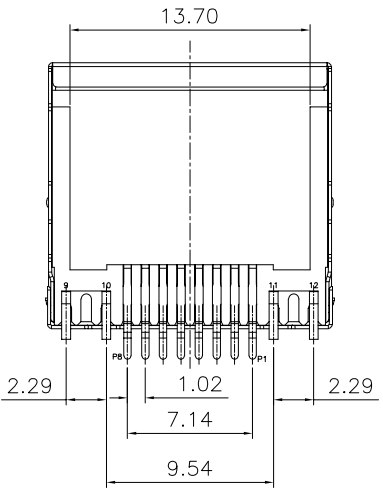
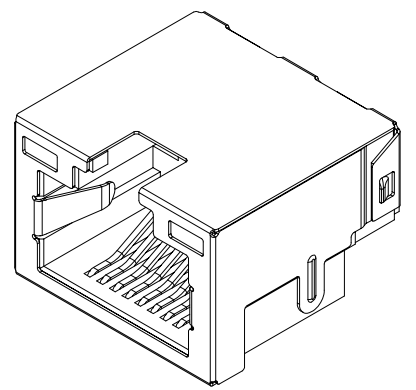
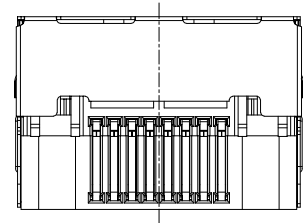
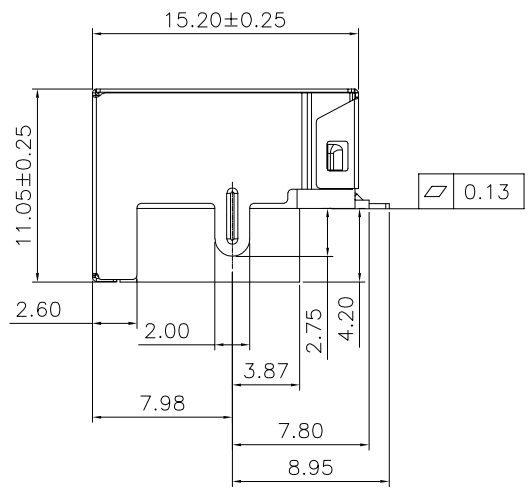
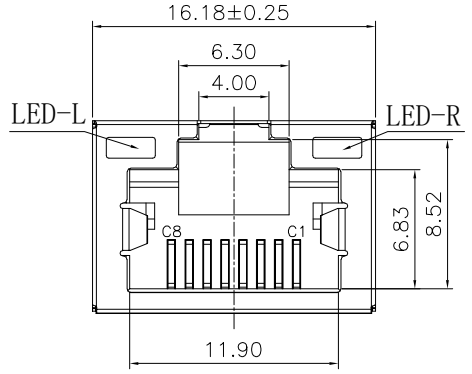
1. VOLTAGE RATING: 125 VAC RMS
2. CURRENT RATING: 1.5AMP
3. CONTACT RESISTANCE: 30mΩ MAX
4. INSULATION RESISTANCE: 500mΩ MIN AT 500V DC
5. DIELECTRIC STRENGTH: 1000 V AC TO 500 V AC RMS@ 0.5mA 50Hz TO 60Hz 1 MINUTE

MECHANICAL:

1. SHIELD: COPPER ALLOY THICKNESS=0.20mm PLATING NI
1. HOUSING MATERIAL: LCP UL94V-0 BLACK
2. CONTACT TERMINAL: Phosphor bronze T=0.30 PLATING NI30-50U". SN 80U"MIN. CONTENT AREA PLATED GOLD
4. OPERATING LIFE: 750 CYCLES MIN.
5. MATING/UNMATING FORCE: 22N MAX
6. RETENTION STRENGTH: 30N FOR60S±5S.

ENVIRONMENTAL:

1. STORAGE: -40°C TO +85°C RELATIVE HUMIDITY<80%.
2. OPERATION: -40°C TO +85°C

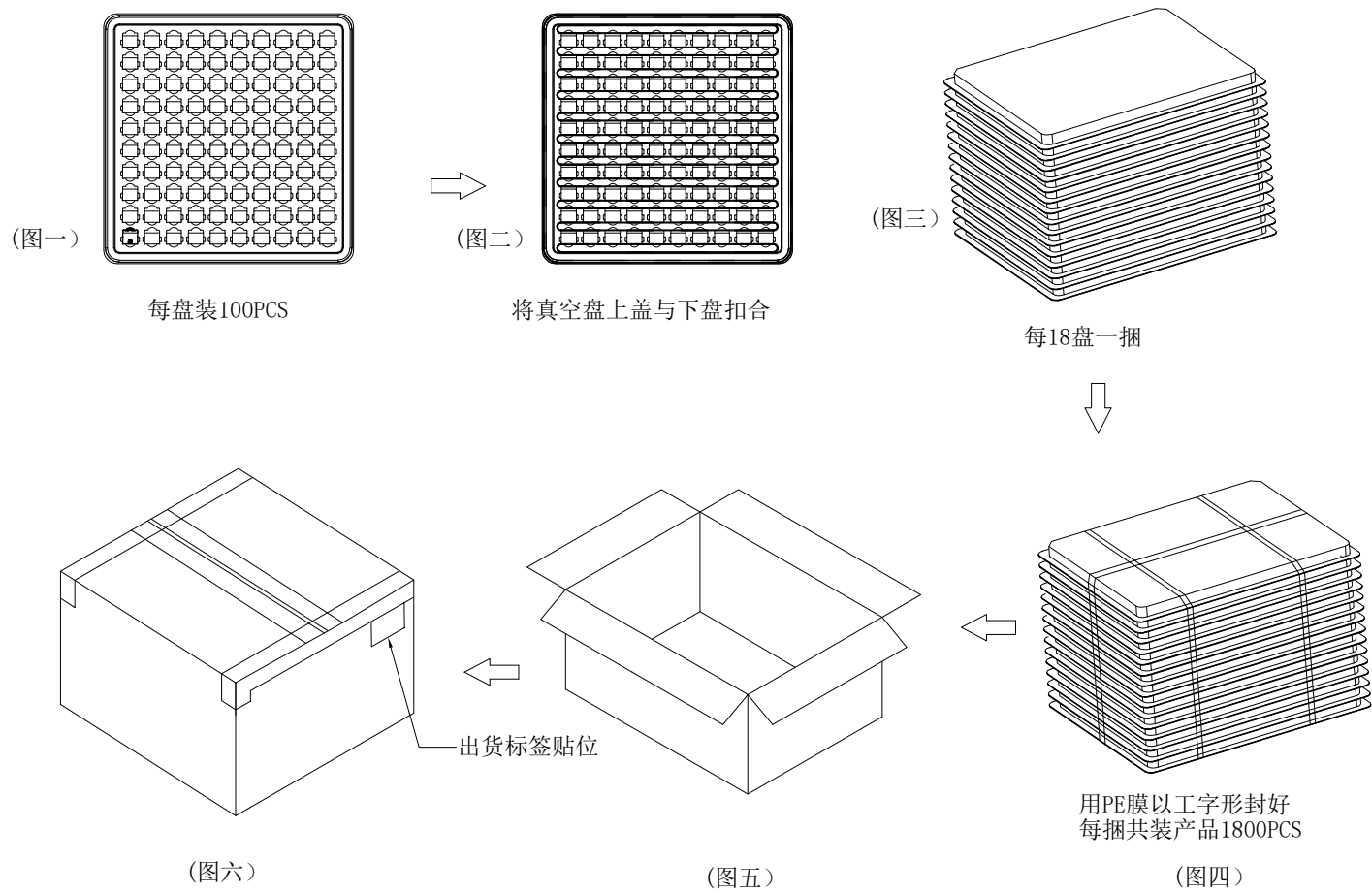


 UNIT: mm [inch] TOLERANCE: X.X ±0.35 X.XX ±0.25 X.XXX ±0.15 Angle ±3.0° SCALE:1:1 SIZE:A4	 深圳市盈创利电子有限公司 Shenzhen Ying Chuang Li Electronics co., LTD.	
	DESIGN:	PART NAME:
	CHECKED:	RJ45 沉板 板下4.20 8P8C SMT 有灯无弹
	APPROVED:	PART NO. 5A29-207A
	DRAW NO.	
	SHEET NO.	1 OF 2

RoHS

REV.	ECN NO.	LOCATIONS	DESCRIPTION	DATE	DESIGN
A0			原始版本(INITIAL EDITION)		

- 包装方式:
1. 将检验合格的产品按(图一)的方式装入真空盘中, 每盘装100PCS.
 2. 装满产品后将真空盘上盖与下盘扣合, (图二)
 3. 每18盘一捆共1800PCS用PE膜以“工”字形封好, 如(图三、图四).
 4. 将捆好后的产品放入到纸箱中, 用封箱胶纸以“工”字形封合, 并按客户要求贴上出货标签(图五、图六)



1	沉板4.2H	1800PCS	
2	真空盒上盖	18PCS	280*280*11mm
3	真空盒下盖	18PCS	280*280*11mm
4	纸箱	1PCS	290*290*230mmK=K

<p>UNIT: mm [inch]</p> <p>TOLERANCE:</p> <p>X.X ±0.35</p> <p>X.XX ±0.25</p> <p>X.XXX ±0.15</p> <p>Angle ±3.0°</p> <p>SCALE:1:1 SIZE:A4</p>	<p>深圳市盈创利电子有限公司</p> <p>Shenzhen Ying Chuang Li Electronics co., LTD.</p>	
	DESIGN:	PART NAME:
	CHECKED:	RJ45 沉板 板下4.20 吸塑包装规范
	APPROVED:	PART NO. 5A29-207A
	DRAW NO.	
	SHEET NO. 2 OF 2	