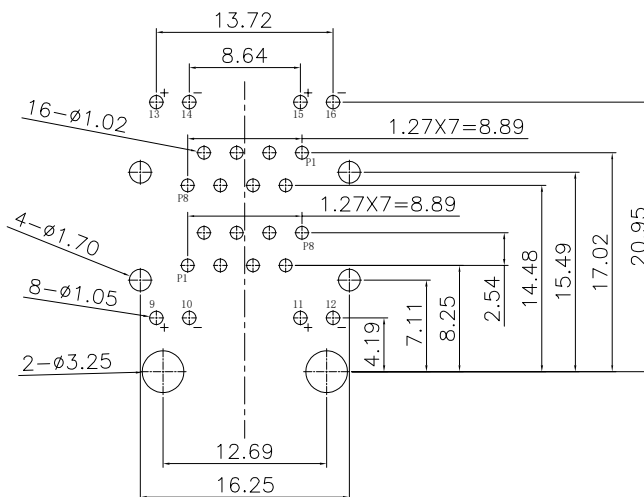
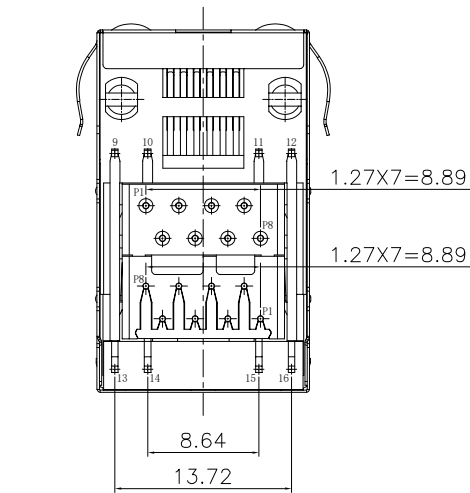
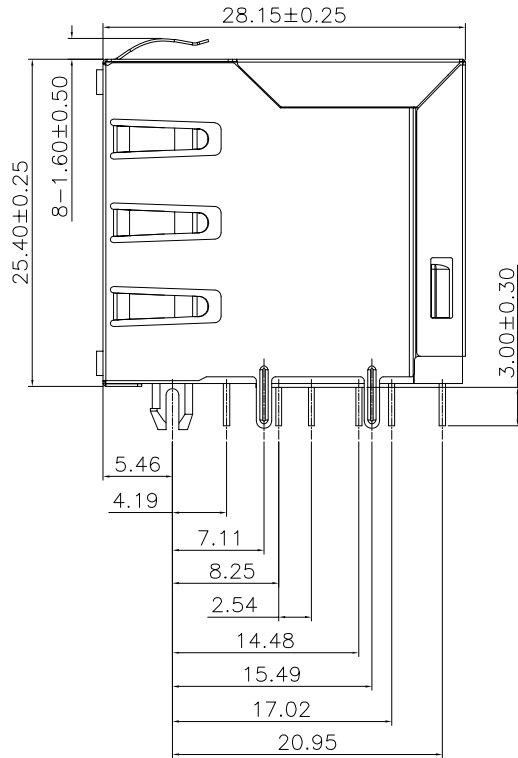
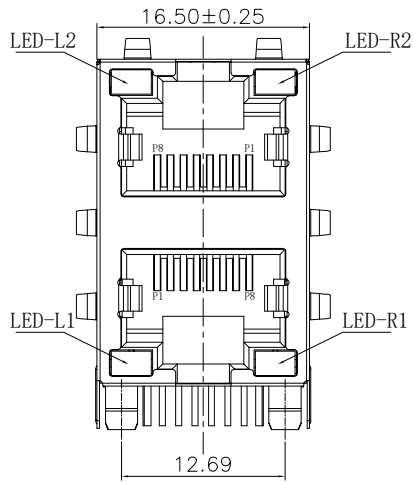


RoHS

REV.	ECN NO.	LOCATIONS	DESCRIPTION	DATE	DESIGN
A0			原始版本(INITIAL EDITION)		



RECOMMENDED P.C.B LAYOUT
TOP VIEW (COMPONENT SIDE)

PRODUCT SPECIFICATION:

ELECTRICAL:

- INSULATION RESISTANCE:500 MEGOHMS MIN @ 500V DC
- DIELECTRIC WITHSTANDING RESISTANCE:1000V AC RMS 50HZ.1MIN
- CONTACT RESISTANCE:30 MILLIOHMS MAX
- VOLTAGE RATING:125 VAC RMS
- CURRENT RATING:1.5 AMP

MECHANICAL:

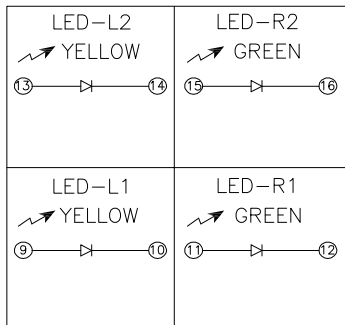
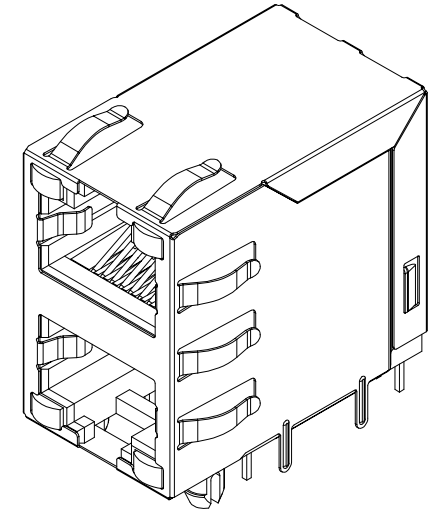
- DURRABILIIY:750 CYCLES MIN
- PCB RETENTION PRE-SOLDER:1 LB MIN

ENVIRONMENTAL:

- STORAGE:-40-85°C
- OPERATION:0-70°C
- HUMIDITY:<80%

MATERIAL:

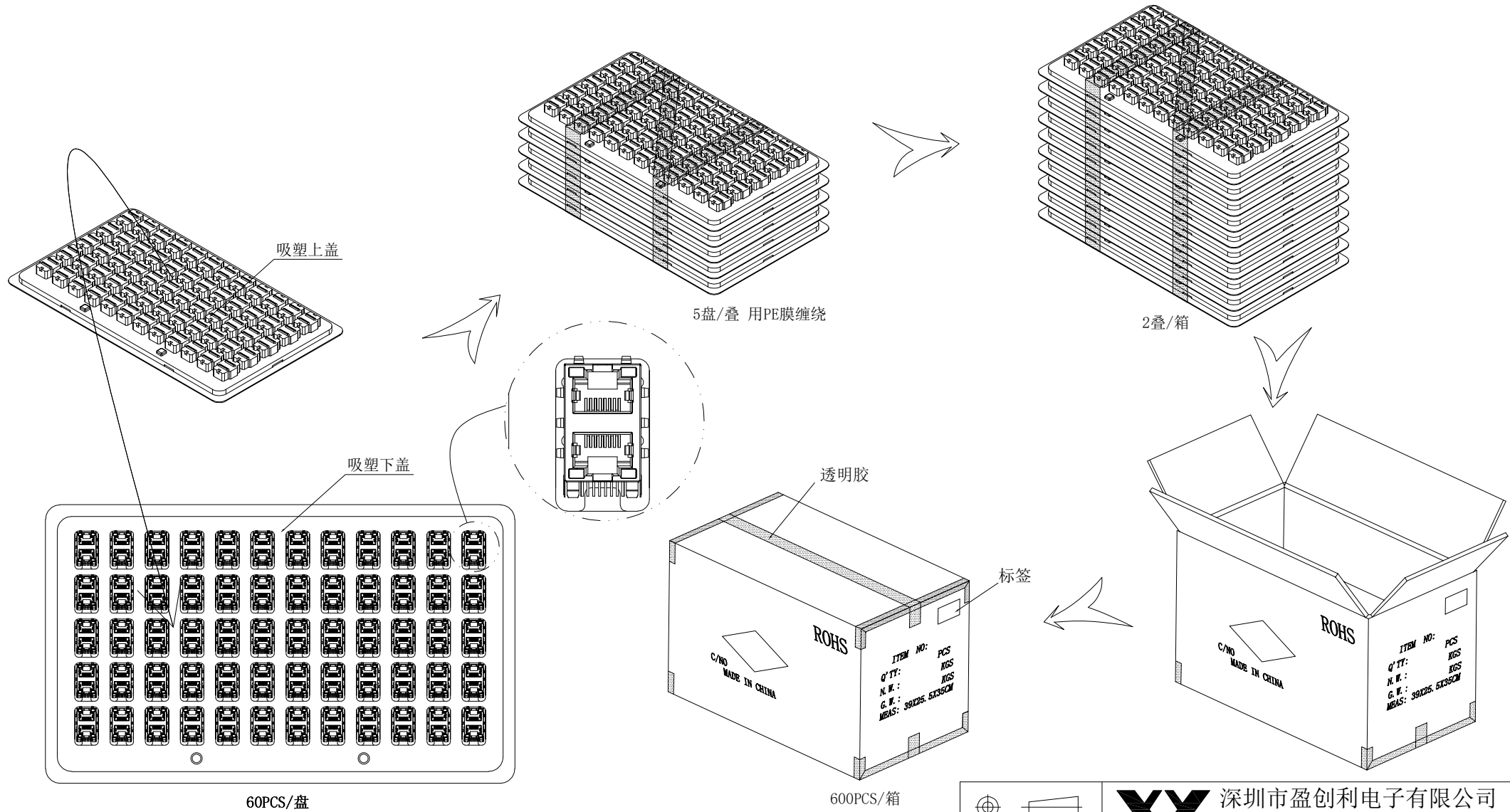
- HOUSINGS:PBT Black UL94V-0
- INSERT:PBT Black UL94V-0
- CONTACTS:Φ0.46mm PHOSPHOR BRONZE, GOLD PLATING OVER NICKEL
- SHIELD:COPPER ALLOY THICKNESS=0.20mm PLATING NI



 UNIT: mm [inch]	 深圳市盈创利电子有限公司 Shenzhen Ying Chuang Li Electronics co., LTD.	DESIGN:		PART NAME:	
		TOLERANCE: X.X ±0.35 X.XX ±0.25 X.XXX ±0.15 Angle ±3.0°		RJ45 59M 2X1 带屏蔽 有弹 LED上层左黄右绿 下层左黄右绿 脚柱有蘑菇头 针脚长3.0	
CHECKED:		APPROVED:		PART NO.	5A28-156A
SCALE:1:1 SIZE:A4				DRAW NO.	
				SHEET NO.	1 OF 1

RoHS

REV.	ECN NO.	LOCATIONS	DESCRIPTION	DATE	DESIGN
A0			原始版本(INITIAL EDITION)		



备注:

1. 纸箱材质:K=A;规格390X255X350MM
2. 每盘包装数量: 60PCS/盘
3. 每箱包装数量: 60X10=600PCS/箱
4. 将装好产品的5个吸塑盒整齐叠放在一起缠绕PE膜2叠共600PCS,放入纸箱中,用透明胶纸封好纸箱。

 UNIT: mm [inch]	深圳市盈创利电子有限公司 Shenzhen Ying Chuang Li Electronics co., LTD.	
	DESIGN:	PART NAME: RJ45 59M 2X1 系列 包装规范
TOLERANCE: X.X ±0.35 X.XX ±0.25 X.XXX ±0.15 Angle ±3.0°	CHECKED:	PART NO. 5A28-156A
	APPROVED:	DRAW NO.
SCALE:1:1 SIZE:A4	SHEET NO.	1 OF 1