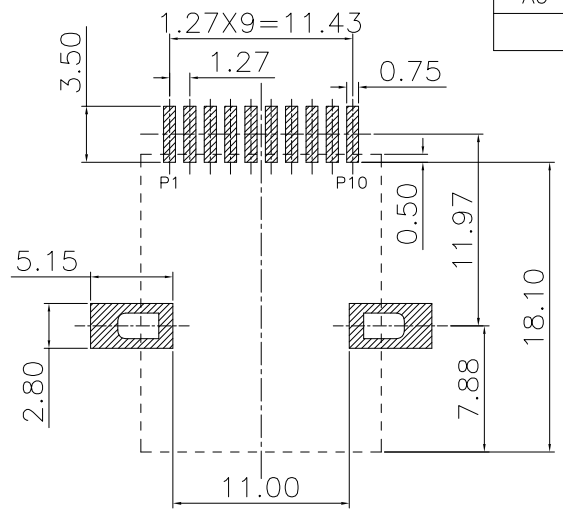
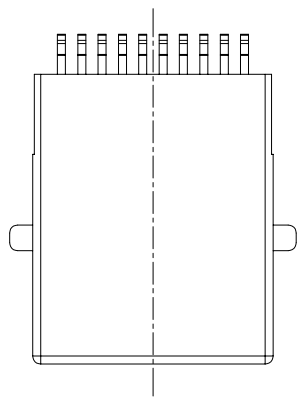
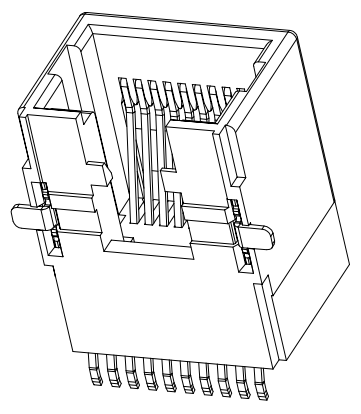
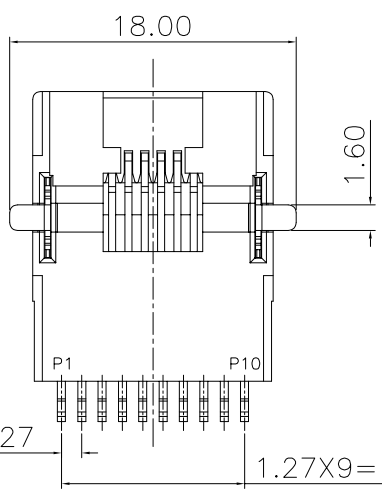
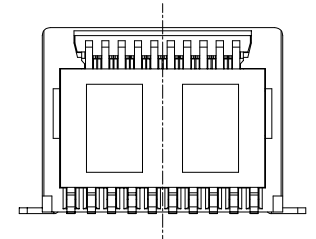
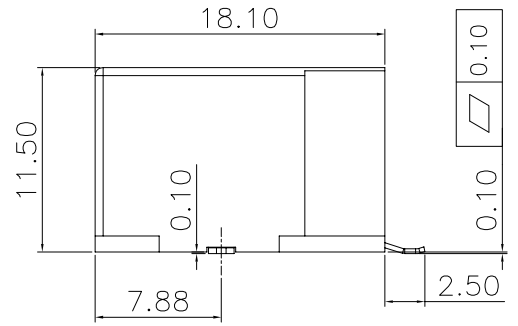
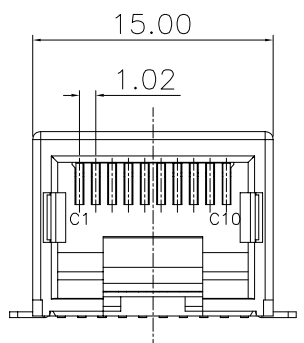


RoHS

REV.	ECN NO.	LOCATIONS	DESCRIPTION	DATE	DESIGN
A0			原始版本(INITIAL EDITION)		



PCB LAYOUT/TOP VIEW  
TOLERANCE=±0.05



SPECIFICATION NOTES:

ELECTRICAL:

- VOLTAGE RATING:125 VAC RMS
- CURRENT RATING:1.5AMP
- CONTACT RESISTANCE:30mΩ MAX
- INSULATION RESISTANCE:500mΩ MIN AT 500V DC
- DIELECTRIC STRENGTH:1000V AC TO 1500V DC RMS@ 0.5mA 50Hz TO 60Hz 1 MINUTE

MECHANICAL:

- HOUSING/INSERT MATERIAL:THERMOPASTIC, PA9T UL94V-0 RATED, COLOR BLACK
- CONTACT TERMINAL:Phosphor bronze T=0.30 PLATING NI30-50U". SN 100U"MIN. CONTENT AREA PLATED GOLD 6U"
- SMT PIN MATERIAL:Copper Alloy T=0.35 PLATED NI30-50U", SN100U"MIN
- OPERATING LIFE:750 CYCLES MIN.
- MATING/UNMATING FORCE:30N MAX
- RETENTION STRENGTH:50N FOR60S±5S.

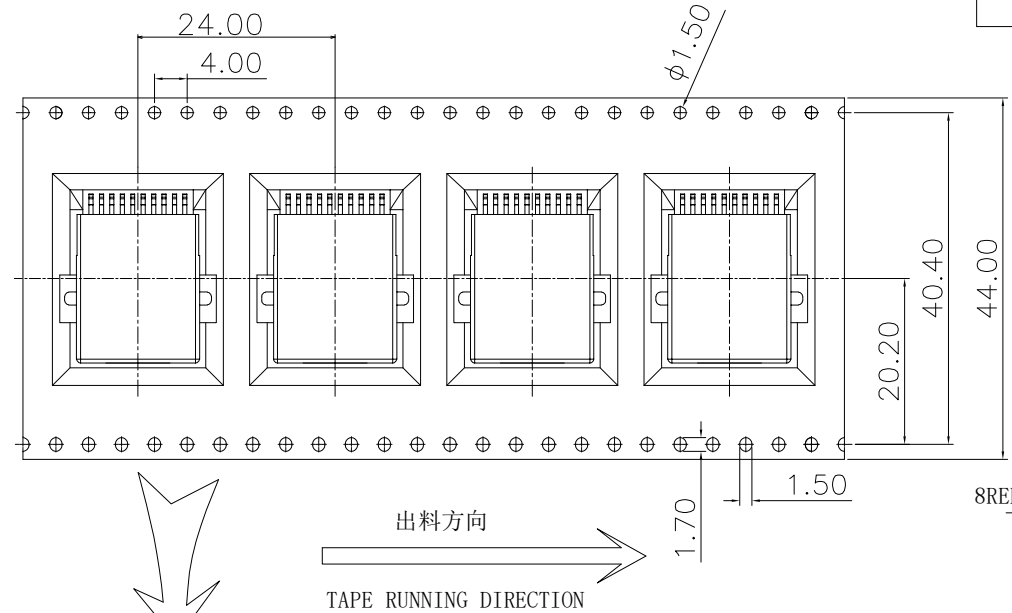
ENVIRONMENTAL:

- STORAGE:-40℃ TO +85℃ RELATIVE HUMIDITY<80%.
- OPERATION:-40℃ TO +85℃

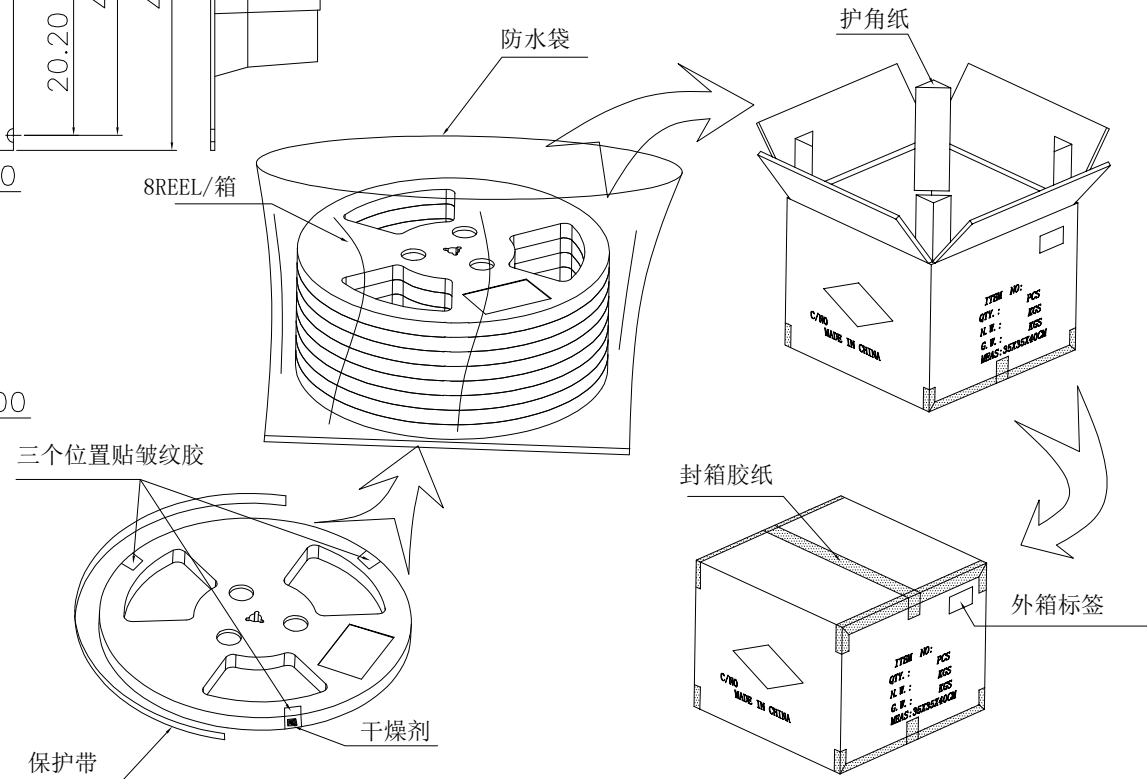
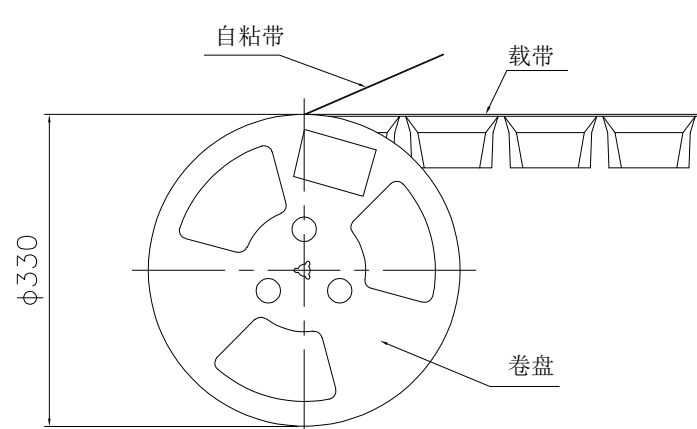
<p>UNIT: mm [inch]</p> <p>TOLERANCE: X.X ±0.35 X.XX ±0.25 X.XXX ±0.15 Angle ±3.0°</p> <p>SCALE:1:1 SIZE:A4</p>	<p>深圳市盈创利电子有限公司 Shenzhen Ying Chuang Li Electronics co., LTD.</p>	
	DESIGN:	PART NAME: RJ45 90度 全塑 外贴 SMT 10P10C 无柱
CHECKED:	PART NO. 5A27-291D	DRAW NO.
APPROVED:	SHEET NO. 1 OF 1	

RoHS

REV.	ECN NO.	LOCATIONS	DESCRIPTION	DATE	DESIGN
A0			原始版本(INITIAL EDITION)		



备注:  
 1. 包装数量200PCS/卷; 8卷1600PCS/箱;  
 当订单量和尾数不足时, 可以合理选择纸箱规格  
 2. 纸箱封盖后用封箱胶纸封箱, 并于侧面贴出货标签  
 3. 外箱规格: 35X35X40CM  
 卷盘规格: phi 330\*44.00MM



Front segment empty 14      Middle package product 200PCS      Later segment empty 14  
 前段空14格      中间封装产品200PCS      后段空14格

6	外纸箱	1	PCS
5	护角纸	4	PCS
4	防水袋	1	PCS
3	干燥剂	8	PCS
2	保护带	8	SET
1	卷盘/载带/自粘带	8	SET
序号	包装名称	数量	单位

**深圳市盈创利电子有限公司**  
Shenzhen Ying Chuang Li Electronics co., LTD.

DESIGN: \_\_\_\_\_

CHECKED: \_\_\_\_\_

APPROVED: \_\_\_\_\_

PART NAME: RJ45 90度 10P10C 包装规范	
PART NO.	5A27-291D
DRAW NO.	
SHEET NO.	1 OF 1

UNIT: mm [inch]      TOLERANCE:  
 X.X ±0.35  
 X.XX ±0.25  
 X.XXX ±0.15  
 Angle ±3.0'

SCALE:1:1    SIZE:A4