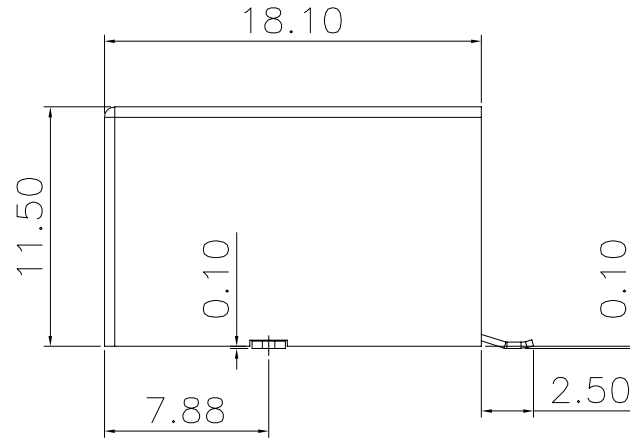
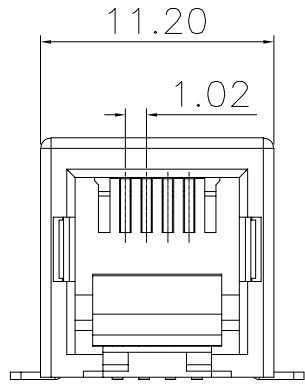


RoHS

REV.	ECN NO.	LOCATIONS	DESCRIPTION	DATE	DESIGN
A0			原始版本(INITIAL EDITION)		



SPECIFICATION NOTES:

ELECTRICAL:

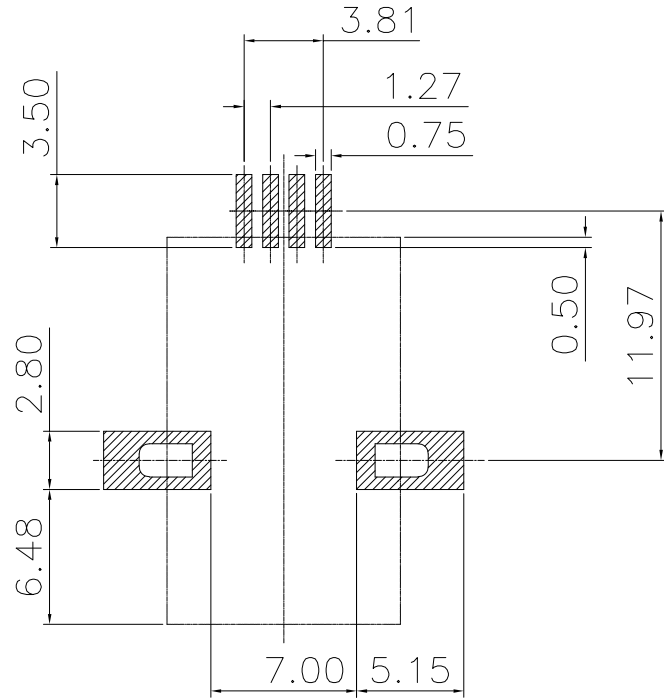
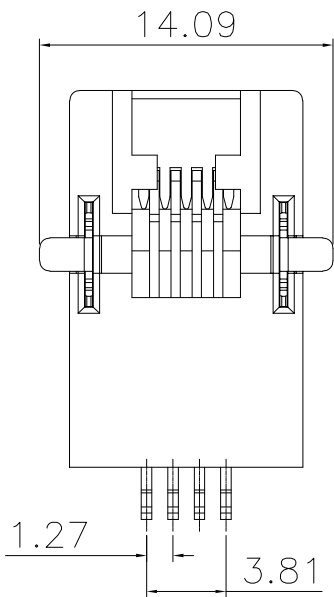
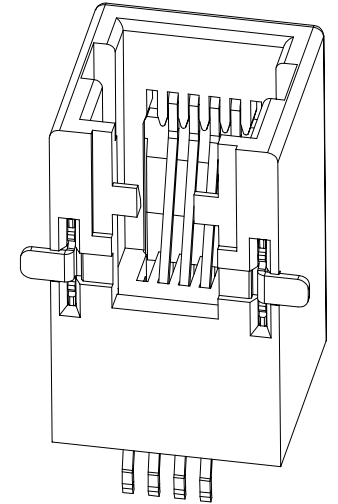
1. VOLTAGE RATING:125 VAC RMS
2. CURRENT RATING:1.5AMP
3. CONTACT RESISTANCE:20mΩ MAX
4. INSULATION RESISTANCE:500mΩ MIN AT 500V DC
5. DIELECTRIC STRENGTH:1500 V AC TO 1000 V AC RMS@ 0.5mA 50Hz TO 60Hz 1 MINUTE

MECHANICAL:

1. HOUSING/INSERT MATERIAL:THERMOPLASTIC, PA9T UL94V-0 RATED,COLOR BLACK
2. CONTACT TERMINAL:Phosphor bronze T=0.30 PLATING NI30-50U". SN 100U"MIN. CONTENT AREA PLATED GOLD 6U"
3. SMT PIN MATERIAL:Copper Alloy T=0.35 PLATED NI30-50U", SN100U"MIN
4. OPERATING LIFE:750 CYCLES MIN.
5. MATING/UNMATING FORCE:30N MAX
6. RETENTION STRENGTH:50N FOR60S±5S.

ENVIRONMENTAL:

1. STORAGE:-40℃ TO +85℃ RELATIVE HUMIDITY<80%.
2. OPERATION:-40℃ TO +85℃

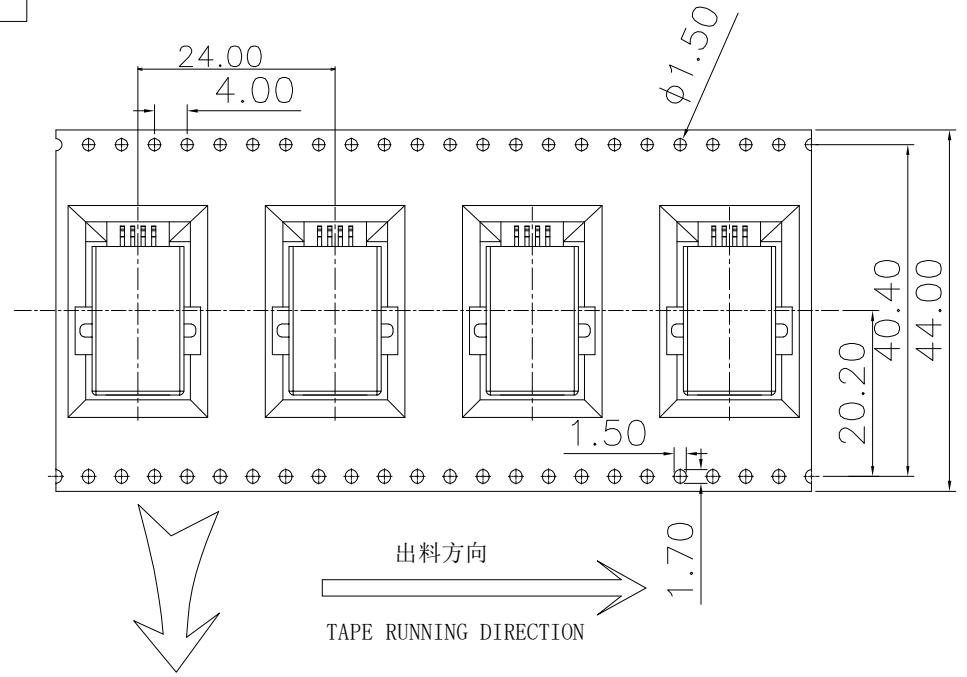


PCB LAYOUT/TOP VIEW
TOLERANCE=±0.05

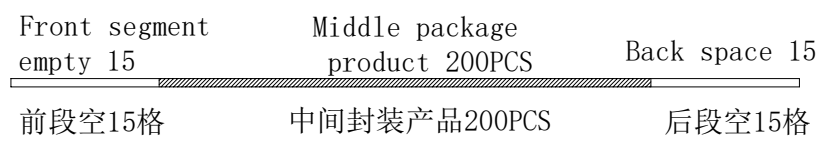
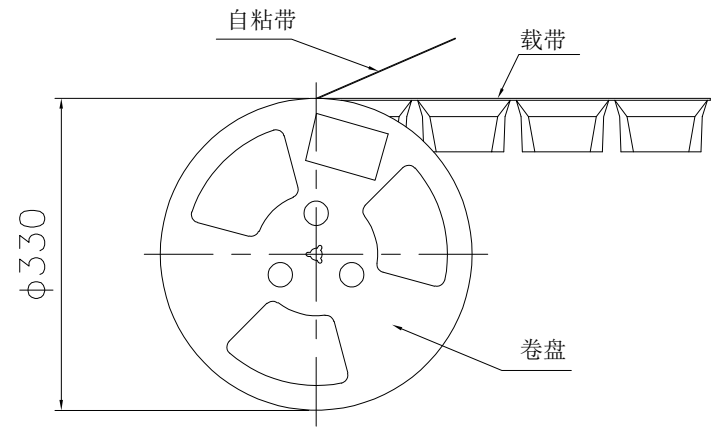
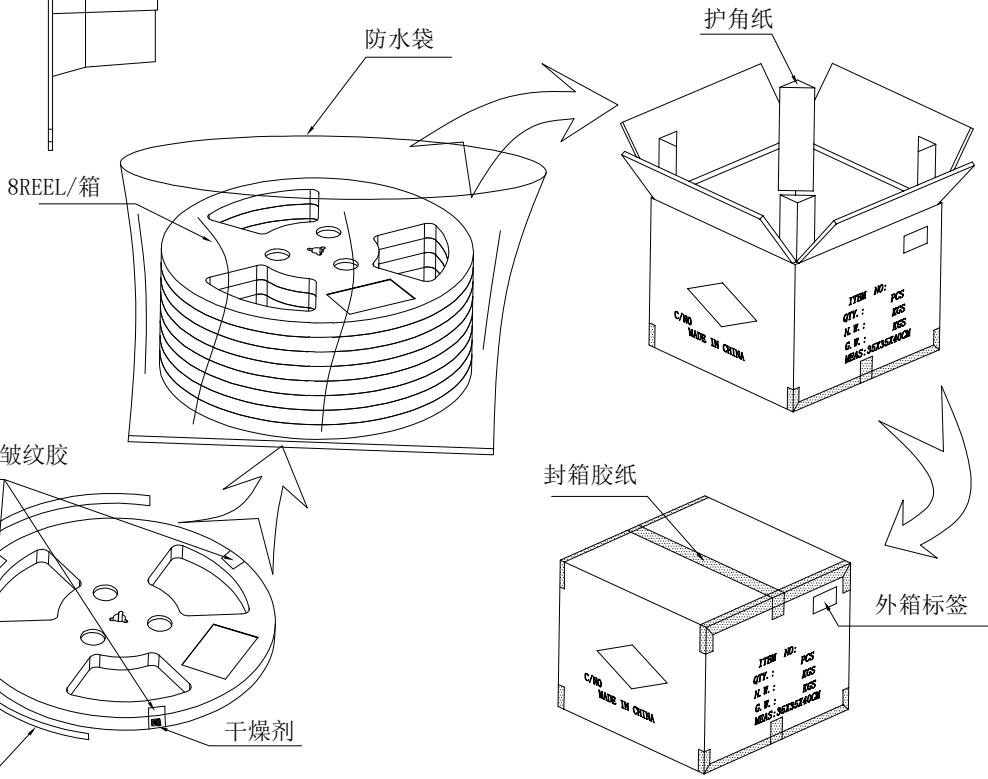
 UNIT: mm [inch]	深圳市盈创利电子有限公司 Shenzhen Ying Chuang Li Electronics co., LTD.	
	DESIGN:	PART NAME:
TOLERANCE: X.X ±0.35 X.XX ±0.25 X.XXX ±0.15 Angle ±3.0'	CHECKED:	RJ9 90度 全塑 外贴 SMT 4P4C 无柱
APPROVED:	PART NO.	5A27-294D
SCALE:1:1 SIZE:A4	DRAW NO.	
	SHEET NO.	1 OF 1

RoHS

REV.	ECN NO.	LOCATIONS	DESCRIPTION	DATE	DESIGN
A0			原始版本(INITIAL EDITION)		



备注:
 1. 包装数量200PCS/卷; 8卷1600PCS/箱;
 当订单量和尾数不足时, 可以合理选择纸箱规格
 2. 纸箱封盖后用封箱胶纸封箱, 并于侧面贴出货标签
 3. 外箱规格: 35X35X40CM
 卷盘规格: phi 330*44.00MM



6	外纸箱	1	PCS
5	护角纸	4	PCS
4	防水袋	1	PCS
3	干燥剂	8	PCS
2	保护带	8	SET
1	卷盘/载带/自粘带	8	SET
序号	包装名称	数量	单位

UNIT: mm [inch]
 TOLERANCE:
 X.X ±0.35
 X.XX ±0.25
 X.XXX ±0.15
 Angle ±3.0'
 SCALE:1:1 SIZE:A4

XY 深圳市盈创利电子有限公司
 Shenzhen Ying Chuang Li Electronics co., LTD.

DESIGN:	PART NAME:
CHECKED:	RJ9 90度 4P4C 包装规范
APPROVED:	PART NO. 5A27-294D
	DRAW NO.
	SHEET NO. 1 OF 1