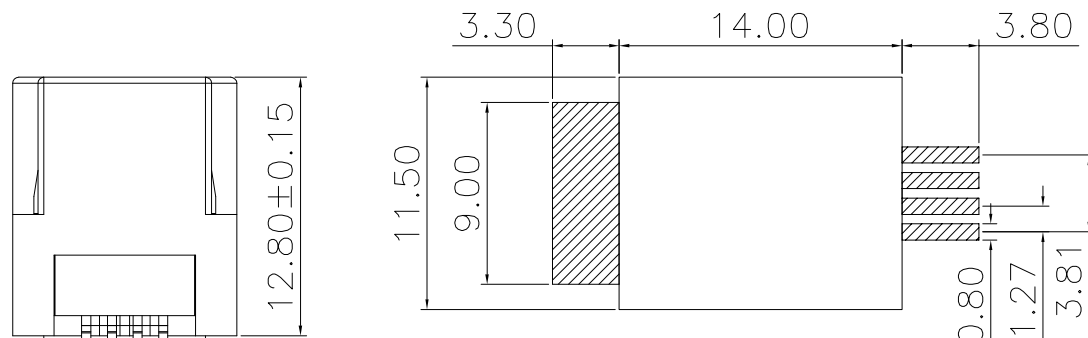
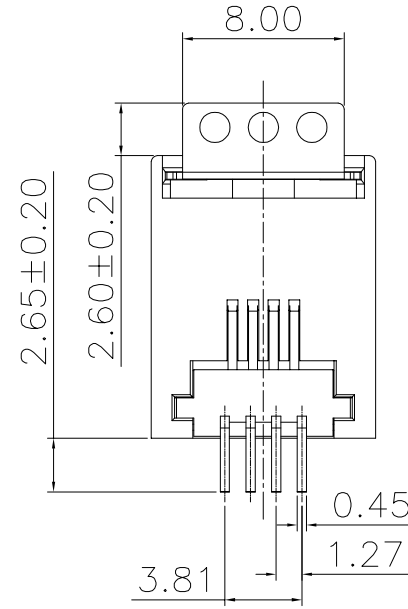
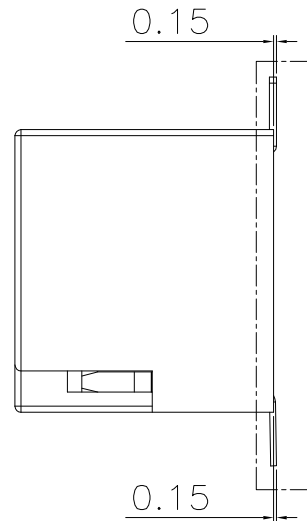
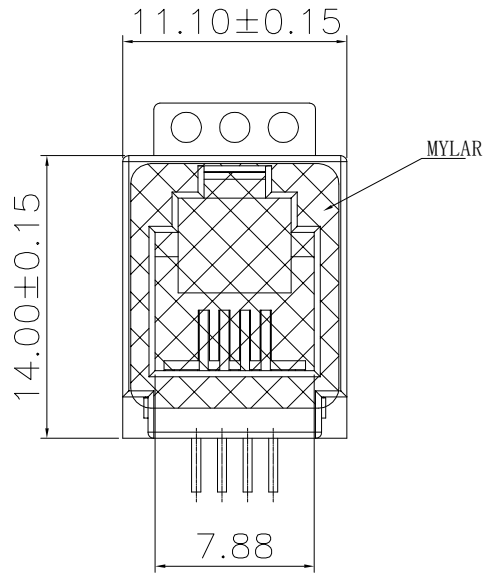


RoHS

| REV. | ECN NO. | LOCATIONS | DESCRIPTION | DATE | DESIGN |
|------|---------|-----------|-----------------------|------|--------|
| A0 | | | 原始版本(INITIAL EDITION) | | |



PCB LAYOUT/TOP VIEW

TOLERANCE=±0.05

SPECIFICATION NOTES:

ELECTRICAL:

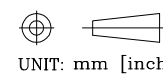
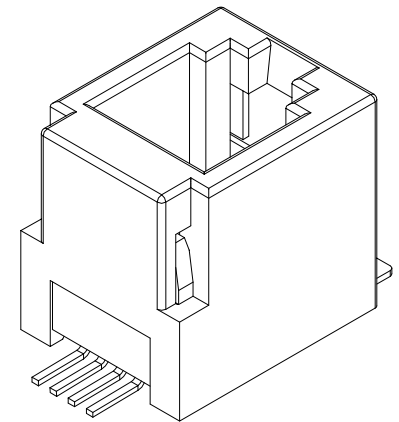
- VOLTAGE RATING:125 VAC RMS
- CURRENT RATING:1.5AMP
- CONTACT RESISTANCE:30mΩ MAX
- INSULATION RESISTANCE:1000MIN AT 500V DC
- DIELECTRIC STRENGTH:1000 VAC 50Hz 1MINUTE

MECHANICAL:

- HOUSING/INSERT MATERIAL:THERMOPASTIC, LCP UL94V-0 RATED, COLOR BLACK
- CONTACT MATERIAL:Copper Alloy T=0.30
- SMT PIN MATERIAL:Copper Alloy T=0.35
- PLATING 30-50U".SN 100U"MIN.
GOLD PLATED ON CONTACT AREA
SMT PLATING: PLATED NI30-50U", SN100U"MIN
- OPERATING LIFE:750 CYCLES MIN.
- MATING FORCE:22N MAX.

ENVIRONMENTAL:

- STORAGE:-40°C TO +85°C
- OPERATION:-40°C TO +85°C



UNIT: mm [inch]

TOLERANCE:

- X.X ±0.35
- X.XX ±0.25
- X.XXX ±0.15
- Angle ±3.0°

SCALE:1:1 SIZE:A4



深圳市盈创利电子有限公司

Shenzhen Ying Chuang Li Electronics co., LTD.

DESIGN:

PART NAME:

RJ9 4P4C 180度 SMT

CHECKED:

PART NO.

5A26-182A

APPROVED:

DRAW NO.

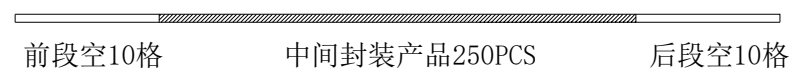
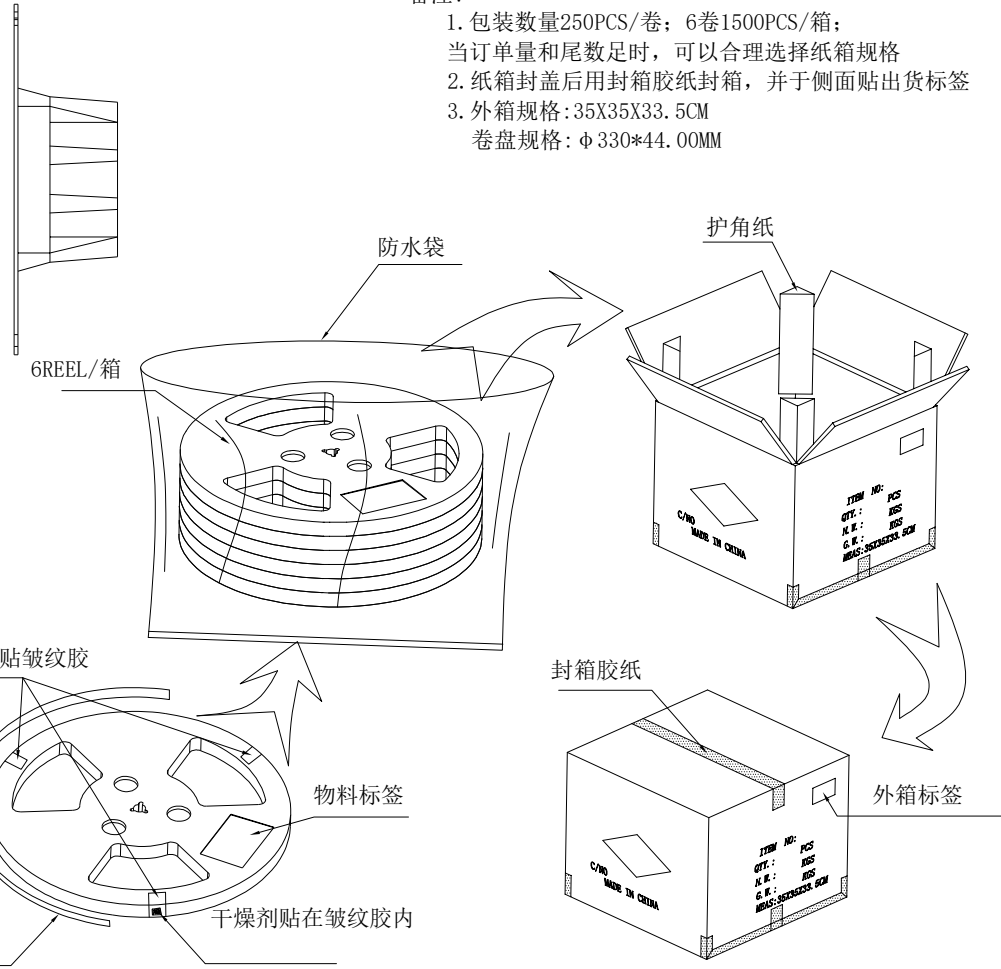
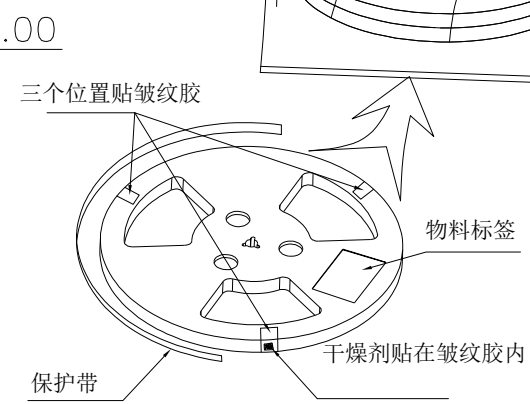
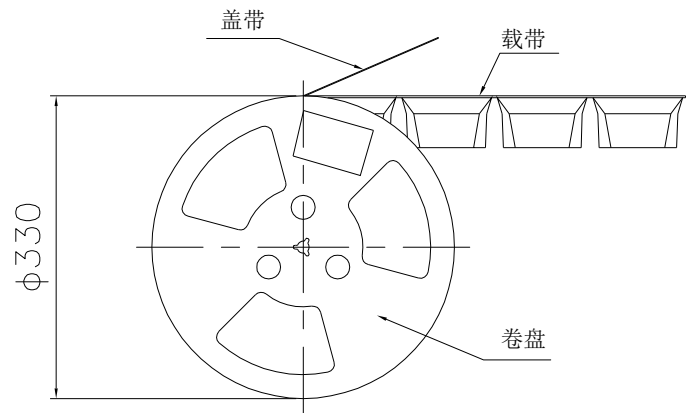
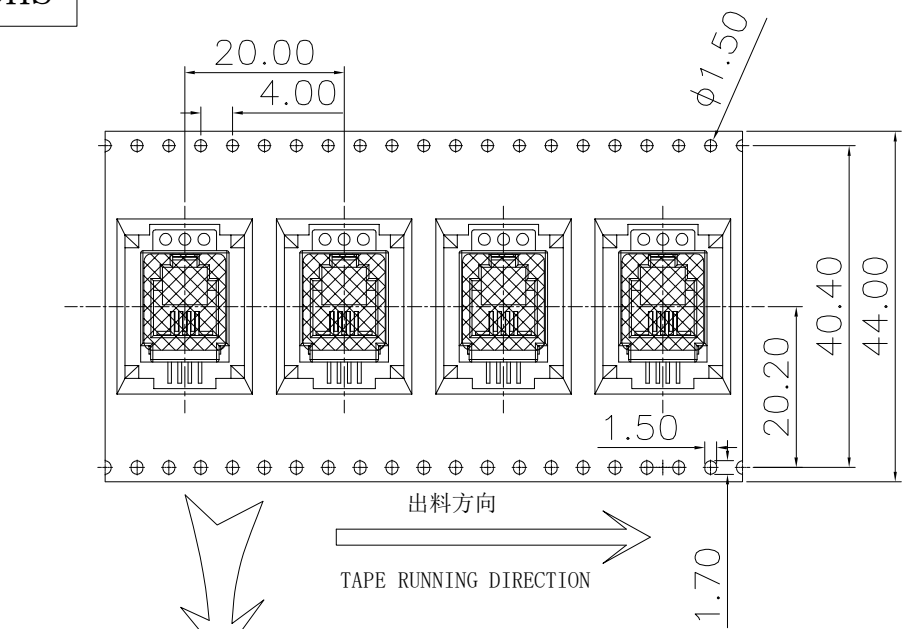
SHEET NO.

1 OF 1

RoHS

| REV. | ECN NO. | LOCATIONS | DESCRIPTION | DATE | DESIGN |
|------|---------|-----------|------------------------|------|--------|
| A0 | | | 原始版本 (INITIAL EDITION) | | |

- 备注:
1. 包装数量250PCS/卷; 6卷1500PCS/箱;
当订单量和尾数足时, 可以合理选择纸箱规格
 2. 纸箱封盖后用封箱胶纸封箱, 并于侧面贴出货标签
 3. 外箱规格: 35X35X33.5CM
卷盘规格: $\phi 330 \times 44.00$ MM



| | | | |
|----|----------|----|-----|
| 6 | 外纸箱 | 1 | PCS |
| 5 | 护角纸 | 4 | PCS |
| 4 | 防水袋 | 1 | PCS |
| 3 | 干燥剂 | 6 | PCS |
| 2 | 保护带 | 6 | SET |
| 1 | 卷盘/载带/盖带 | 6 | SET |
| 序号 | 包装名称 | 数量 | 单位 |

| | | |
|--|--|----------------------------------|
| <p>UNIT: mm [inch]</p> <p>TOLERANCE: X.X ±0.35 X.XX ±0.25 X.XXX ±0.15 Angle ±3.0°</p> <p>SCALE:1:1 SIZE:A4</p> | <p>深圳市盈创利电子有限公司 Shenzhen Ying Chuang Li Electronics co., LTD.</p> | |
| | DESIGN: | PART NAME: RJ9 180度 4P4C 包装规范 |
| CHECKED: | APPROVED: | PART NO. 5A26-182A |
| | | DRAW NO. |
| | | SHEET NO. 1 OF 1 |