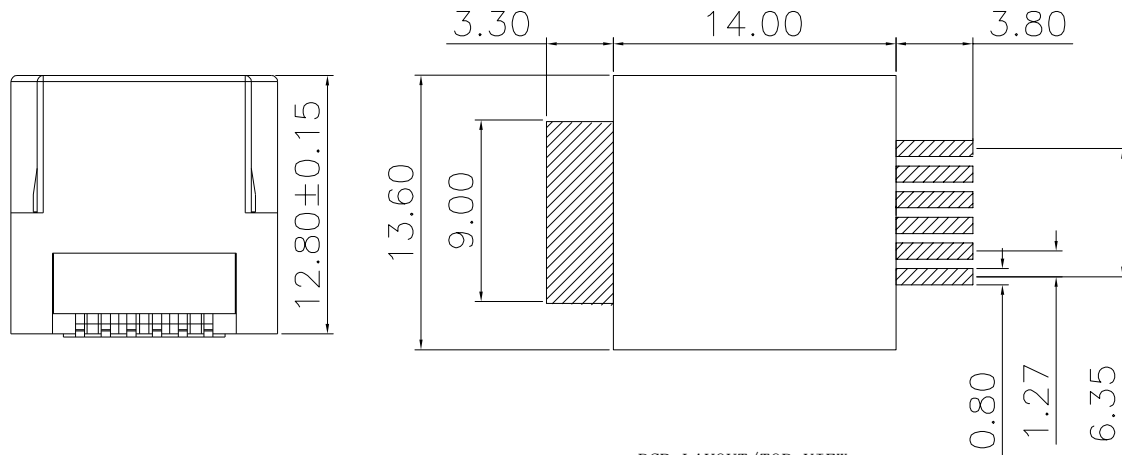
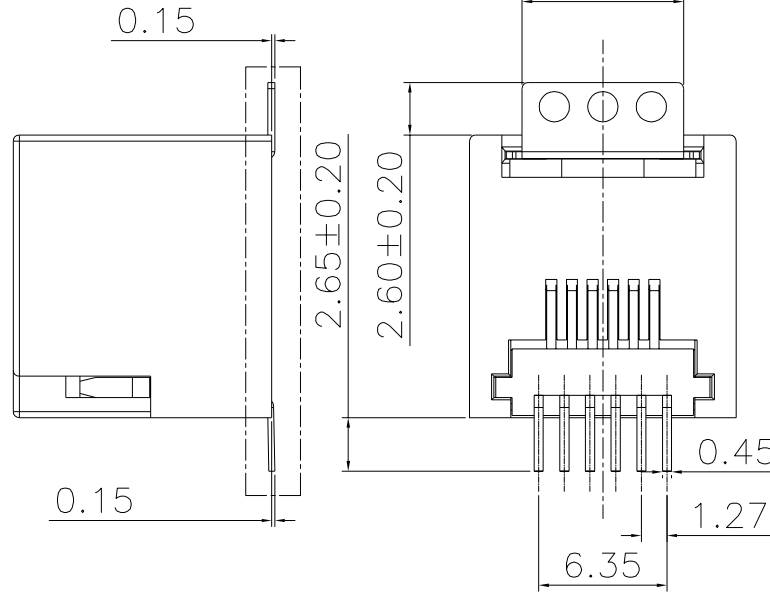
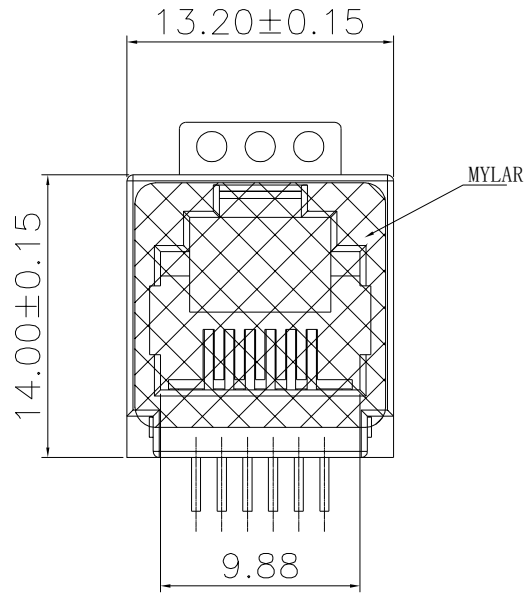


RoHS

REV.	ECN NO.	LOCATIONS	DESCRIPTION	DATE	DESIGN
A0			原始版本(INITIAL EDITION)		



PCB LAYOUT/TOP VIEW

TOLERANCE=±0.05

SPECIFICATION NOTES:

ELECTRICAL:

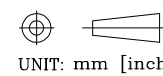
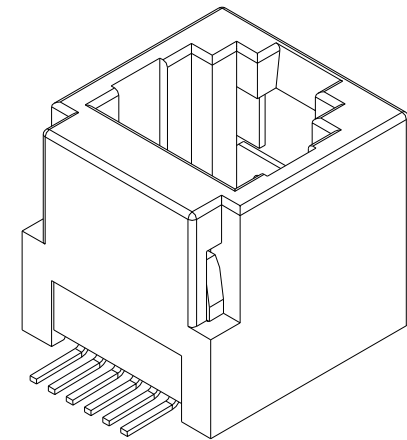
- VOLTAGE RATING:125 VAC RMS
- CURRENT RATING:1.5AMP
- CONTACT RESISTANCE:30mΩ MAX
- INSULATION RESISTANCE:1000MIN AT 500V DC
- DIELECTRIC STRENGTH:1000 VAC 50Hz 1MINUTE

MECHANICAL:

- HOUSING/INSERT MATERIAL:THERMOPASTIC, LCP UL94V-0 RATED,COLOR BLACK
- CONTACT MATERIAL:Copper Alloy T=0.30
- SMT PIN MATERIAL:Copper Alloy T=0.35
GOLD PLATED ON CONTACT AREA
SMT PLATING: PLATED NI30-50U", SN100U"MIN
- OPERATING LIFE:750 CYCLES MIN.
- MATING FORCE:22N MAX.

ENVIRONMENTAL:

- STORAGE:-40℃ TO +85℃
- OPERATION:-40℃ TO +85℃



UNIT: mm [inch]

TOLERANCE:

X.X ±0.35
X.XX ±0.25
X.XXX ±0.15
Angle ±3.0°

SCALE:1:1 SIZE:A4



深圳市盈创利电子有限公司
Shenzhen Ying Chuang Li Electronics co., LTD.

DESIGN:

CHECKED:

APPROVED:

PART NAME:

RJ11 6P6C 180度 SMT

PART NO.

5A26-181A

DRAW NO.

SHEET NO.

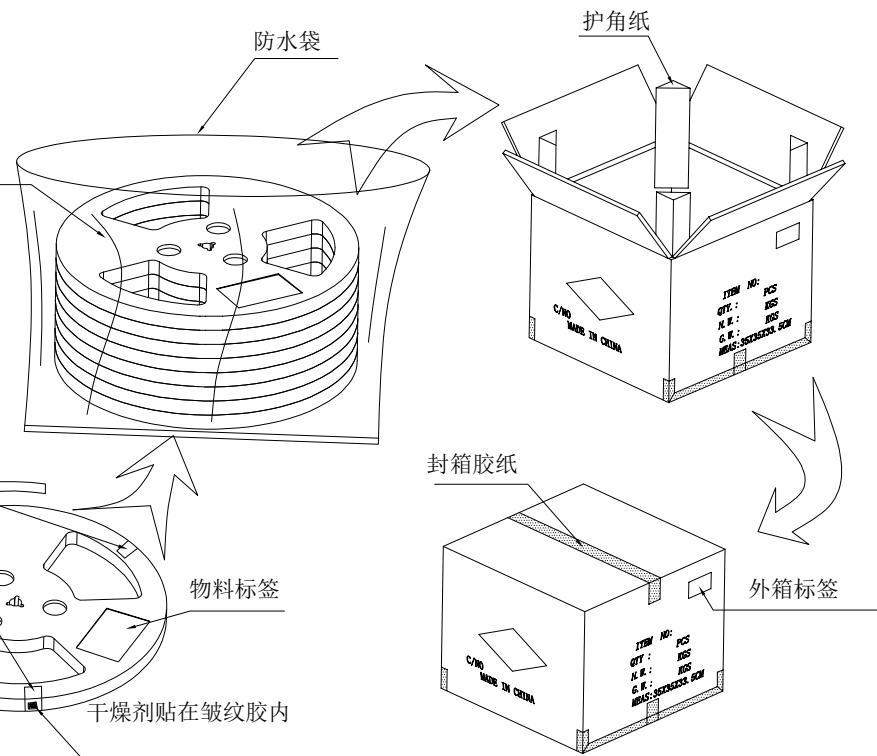
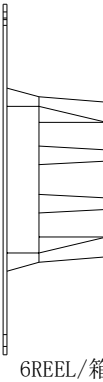
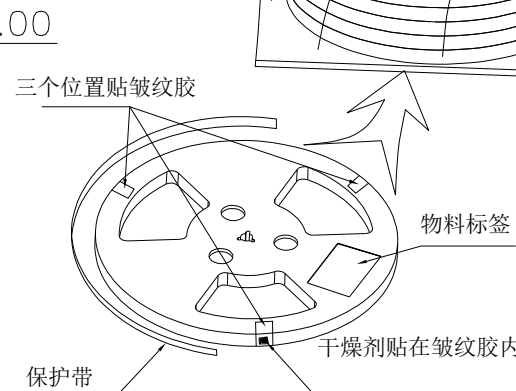
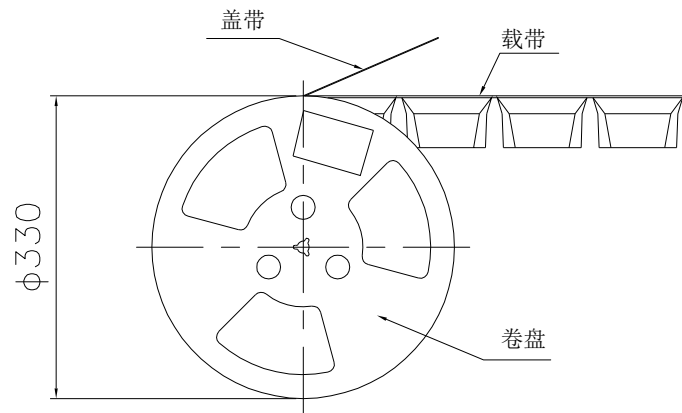
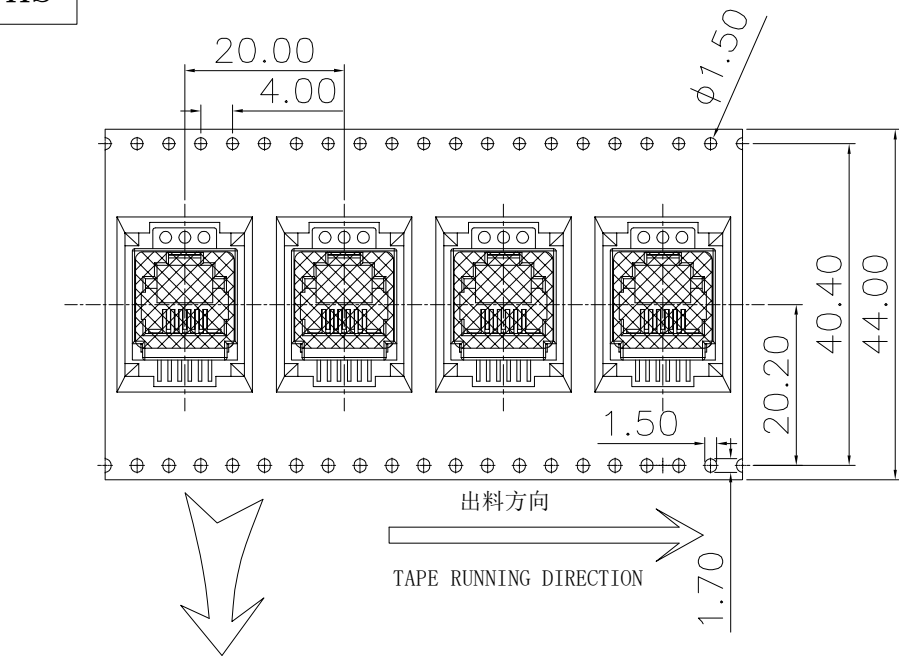
1 OF 1

RoHS

REV.	ECN NO.	LOCATIONS	DESCRIPTION	DATE	DESIGN
A0			原始版本(INITIAL EDITION)		

备注:

1. 包装数量250PCS/卷; 6卷1500PCS/箱;
当订单量和尾数足时, 可以合理选择纸箱规格
2. 纸箱封盖后用封箱胶纸封箱, 并于侧面贴出货标签
3. 外箱规格: 35X35X33.5CM
卷盘规格: $\phi 330 \times 44.00$ MM

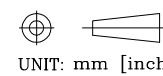


前段空10格

中间封装产品250PCS

后段空10格

6	外纸箱	1	PCS
5	护角纸	4	PCS
4	防水袋	1	PCS
3	干燥剂	6	PCS
2	保护带	6	SET
1	卷盘/载带/盖带	6	SET
序号	包装名称	数量	单位



TOLERANCE:
X.X ± 0.35
X.XX ± 0.25
X.XXX ± 0.15
Angle $\pm 3.0^\circ$

SCALE:1:1 SIZE:A4



深圳市盈创利电子有限公司
Shenzhen Ying Chuang Li Electronics co., LTD.

DESIGN:

PART NAME:

RJ11 180度 6P6C 包装规范

CHECKED:

PART NO.

5A26-181A

APPROVED:

DRAW NO.

SHEET NO.

1 OF 1