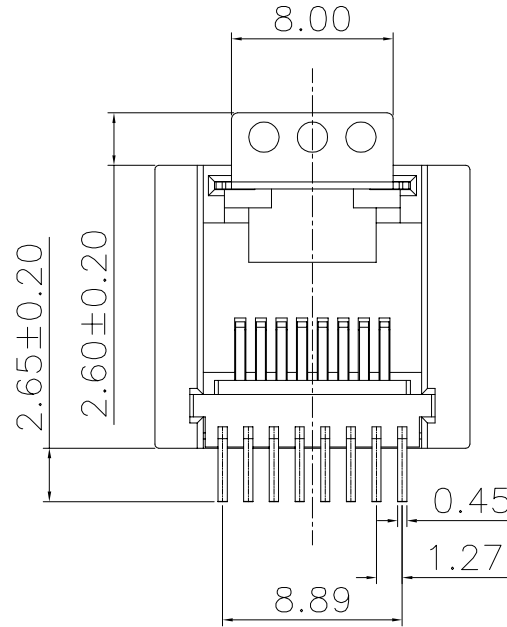
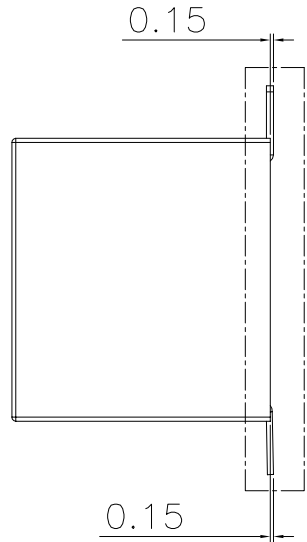
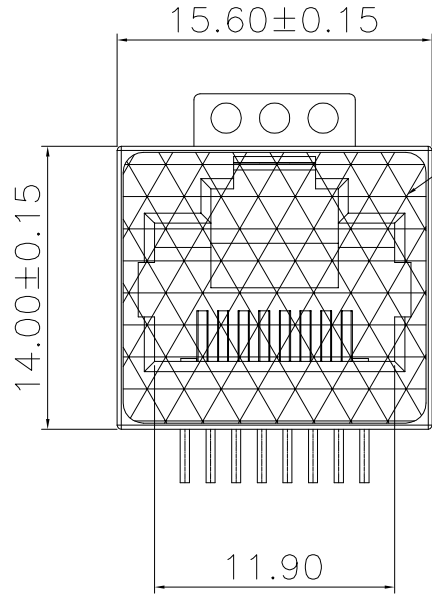


RoHS

REV.	ECN NO.	LOCATIONS	DESCRIPTION	DATE	DESIGN
A0			原始版本(INITIAL EDITION)		



SPECIFICATION NOTES:

ELECTRICAL:

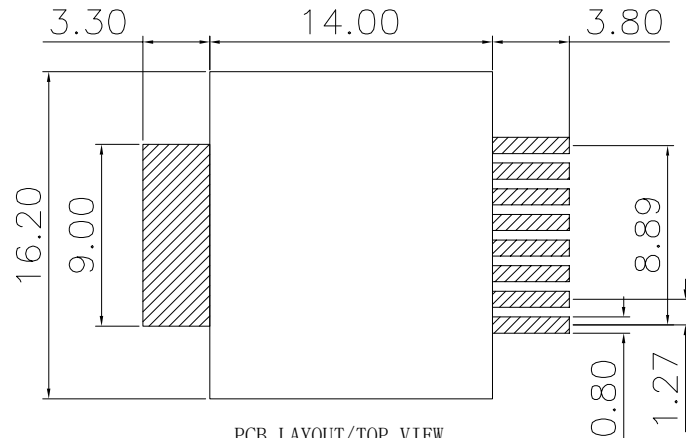
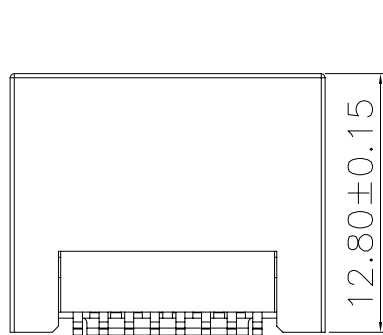
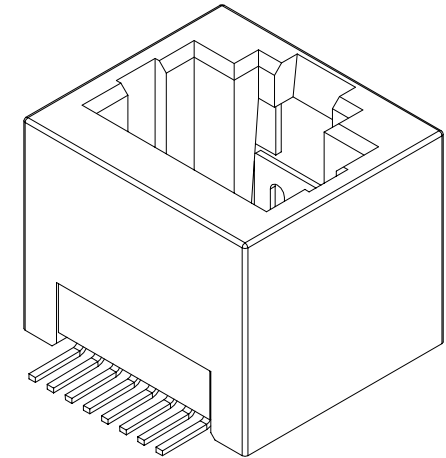
- VOLTAGE RATING:125 VAC RMS
- CURRENT RATING:1.5AMP
- CONTACT RESISTANCE:30mΩ MAX
- INSULATION RESISTANCE:1000MIN AT 500V DC
- DIELECTRIC STRENGTH:1000 VAC 50Hz 1MINUTE

MECHANICAL:

- HOUSING/INSERT MATERIAL:THERMOPLASTIC, LCP UL94V-0 RATED, COLOR BLACK
- CONTACT MATERIAL:Copper Alloy T=0.30
- SMT PIN MATERIAL:Copper Alloy T=0.35
GOLD PLATED ON CONTACT AREA 3U"
SMT PLATING: PLATED NI30-50U", SN100U"MIN
- OPERATING LIFE:750 CYCLES MIN.
- MATING FORCE:22N MAX.

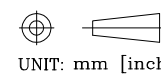
ENVIRONMENTAL:

- STORAGE:-40℃ TO +85℃
- OPERATION:-40℃ TO +85℃



PCB LAYOUT/TOP VIEW

TOLERANCE=±0.05



UNIT: mm [inch]

TOLERANCE:
 X.X ±0.35
 X.XX ±0.25
 X.XXX ±0.15
 Angle ±3.0°

SCALE:1:1 SIZE:A4



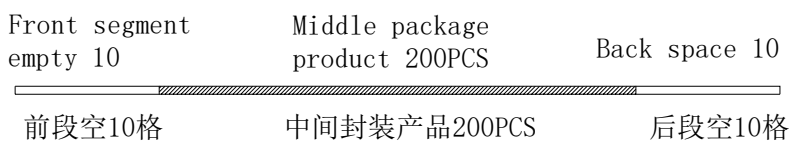
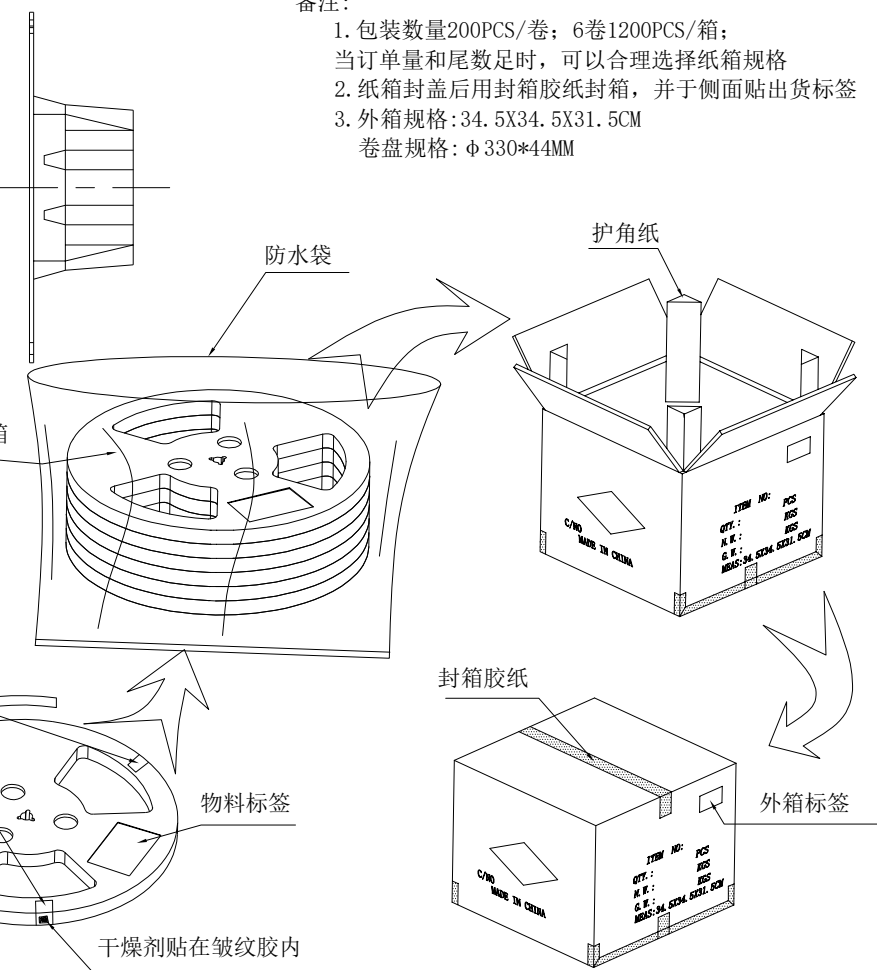
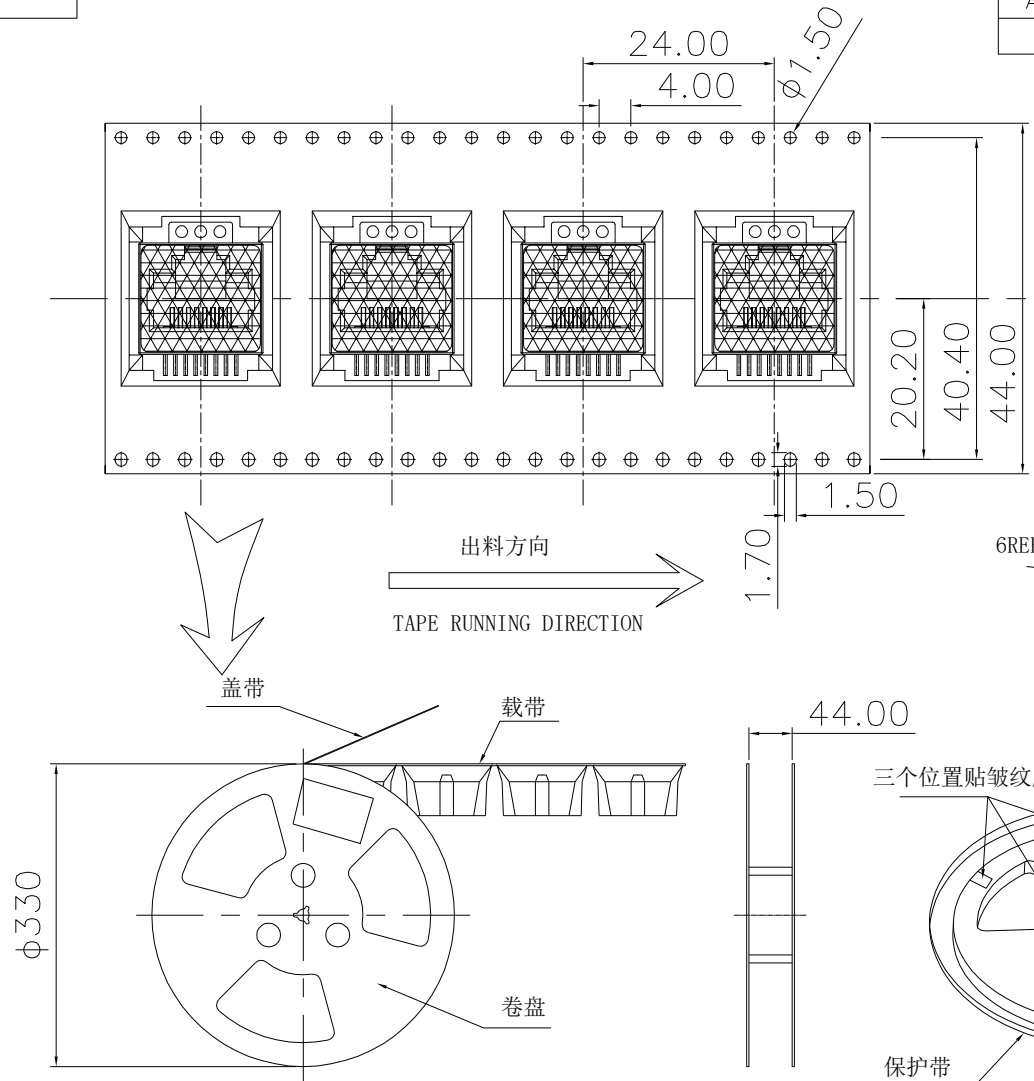
深圳市盈创利电子有限公司
 Shenzhen Ying Chuang Li Electronics co., LTD.

DESIGN:	PART NAME: RJ45 8P8C 180度 SMT	
CHECKED:	PART NO. 5A26-180Y	DRAW NO.
APPROVED:	SHEET NO. 1 OF 1	

RoHS

REV.	ECN NO.	LOCATIONS	DESCRIPTION	DATE	DESIGN
A0			原始版本 (INITIAL EDITION)		

备注:
 1. 包装数量200PCS/卷; 6卷1200PCS/箱;
 当订单量和尾数足时, 可以合理选择纸箱规格
 2. 纸箱封盖后用封箱胶纸封箱, 并于侧面贴出货标签
 3. 外箱规格: 34.5X34.5X31.5CM
 卷盘规格: $\phi 330 \times 44MM$



6	外纸箱	1	PCS
5	护角纸	4	PCS
4	防水袋	1	PCS
3	干燥剂	6	PCS
2	保护带	6	SET
1	卷盘/载带/盖带	6	SET
序号	包装名称	数量	单位

<p>UNIT: mm [inch]</p> <p>TOLERANCE: X.X ±0.35 X.XX ±0.25 X.XXX ±0.15 Angle ±3.0°</p> <p>SCALE:1:1 SIZE:A4</p>	<p>深圳市盈创利电子有限公司 Shenzhen Ying Chuang Li Electronics co., LTD.</p>	
	DESIGN:	PART NAME: RJ45 180度 8P8C 包装规范
CHECKED:	PART NO. 5A26-180Y	
APPROVED:	DRAW NO.	
	SHEET NO. 1 OF 1	