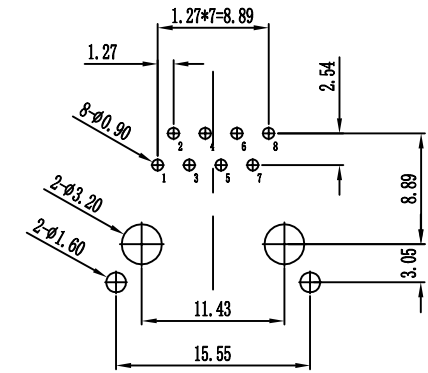
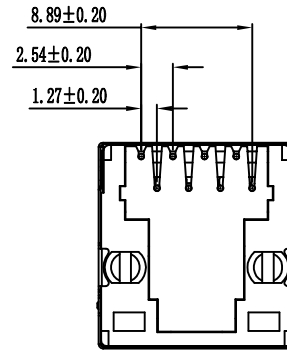
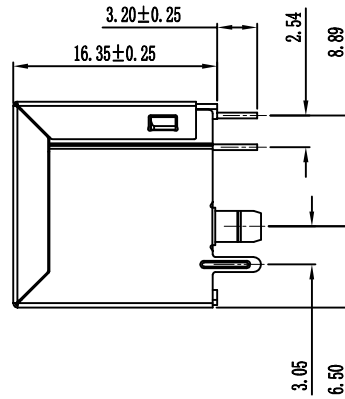
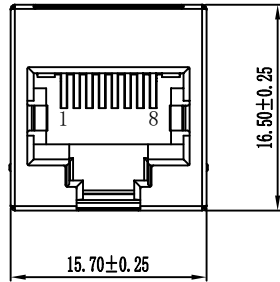
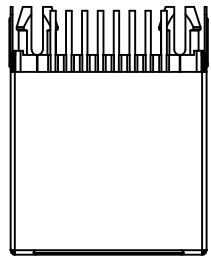


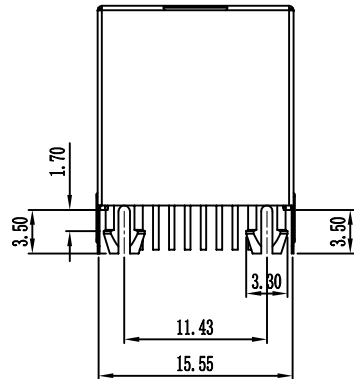
RoHS

REV.	ECN NO.	LOCATIONS	DESCRIPTION	DATE	DESIGN
AO			原始版本(INITIAL EDITION)		

- NOTES:
- ELECTRICAL:
- VOLTAGE RATING: 125V AC.
 - CURRENT RATING: 1.5A.
 - CONTACT RESISTANCE: 30 mΩ MAX.
 - INSULATION RESISTANCE: 500 MΩ MIN @ 500V DC.
 - DIELECTRIC STRENGTH: 1000V AC 50Hz or 60Hz, 1MIN.
- MECHANICAL:
- INSERT MATERIAL: PBT BLACK
 - SHELL: Copper alloy nickl plating
 - CONTACT MATERIAL: DIAMETER 0.46mm C51000 (QSn4-0.3) PHOSPHOR BRONZE GOLD PLATING OVER NICKEL.
 - MATING/UNMATING FORCE: 2.2KG. F MAX.
 - RETENTION STRENGTH: 7.7KG. F MIN BETWEEN JACK AND PLUG.
 - OPERATING LIFE: 750 CYCLES MIN.
- ENVIRONMENTAL:
- STORAGE: -40°C ~ +85°C RELATIVE HUMIDITY<70%.
 - OPERATION: -40°C ~ +85°C.

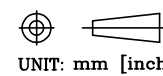


RECOMMENDED P.C.B LAYOUT
TOP VIEW (COMPONENT SIDE)



RJ45 Pin definition:

Pin位	Name	Description
1	TX+	Tranceive Data+
2	TX-	Tranceive Data-
3	RX+	Receive Data+
4	N/C	Not connected
5	N/C	Not connected
6	RX-	Receive Data-
7	N/C	Not connected
8	N/C	Not connected



UNIT: mm [inch]

TOLERANCE:
X.X ±0.35
X.XX ±0.25
X.XXX ±0.15
Angle ±3.0°

SCALE:1:1 SIZE:A4



深圳市盈创利电子有限公司
Shenzhen Ying Chuang Li Electronics co., LTD.

DESIGN:

CHECKED:

APPROVED:

PART NAME:

RJ45 5224 包壳无灯 前脚3.05

PART NO.

5A25-172A

DRAW NO.

SHEET NO.

1 OF 1

RoHS

REV.	ECN NO.	LOCATIONS	DESCRIPTION	DATE	DESIGN
AO			原始版本(INITIAL EDITION)		

吸塑上盖

吸塑下盖

两侧打订书订

ROHS
X

每盘左下角贴ROHS标签
以及QC编号

2叠

产品方向

18盘/叠

100PCS/盘

透明胶纸

标签

3600PCS/箱

备注:

1. 纸箱材质:K=A;规格400X285X345MM
2. 每盘包装数量: 100PCS/盘
3. 每箱包装数量: 100X36=3600PCS/箱
4. 将装好产品的18个吸塑盒整齐叠放在一起, 每盘左下角贴ROHS标签以及QC编号;两侧打订书订共两叠3600PCS,放入纸箱中,用透明胶纸封好纸箱。

<p>UNIT: mm [inch]</p> <p>TOLERANCE: X.X ±0.35 X.XX ±0.25 X.XXX ±0.15 Angle ±3.0°</p> <p>SCALE:1:1 SIZE:A4</p>	<p>深圳市盈创利电子有限公司 Shenzhen Ying Chuang Li Electronics co., LTD.</p>	
	DESIGN:	PART NAME: RJ45 5224 包壳无灯 前脚3.05
	CHECKED:	PART NO. 5A25-172A
	APPROVED:	DRAW NO. SHEET NO. 1 OF 1