

RoHS

REV.	ECN NO.	LOCATIONS	DESCRIPTION	DATE	DESIGN
A0			原始版本(INITIAL EDITION)		

SPECIFICATION NOTES:

ELECTRICAL:

1. VOLTAGE RATING:125 VAC RMS
2. CURRENT RATING:1.5AMP
3. CONTACT RESISTANCE:30mΩ MAX
4. INSULATION RESISTANCE:1000MIN AT 500V DC
5. DIELECTRIC STRENGTH:1000 VAC 50Hz 1MINUTE

MECHANICAL:

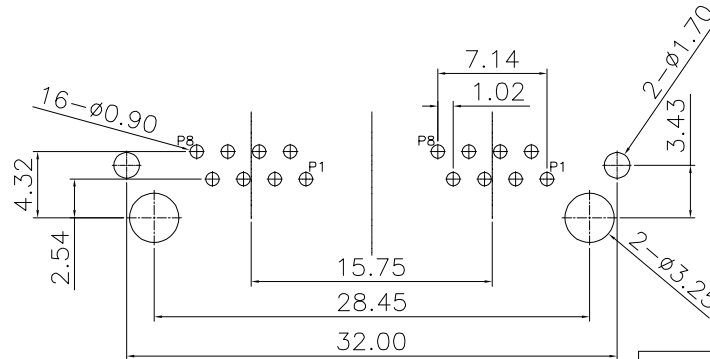
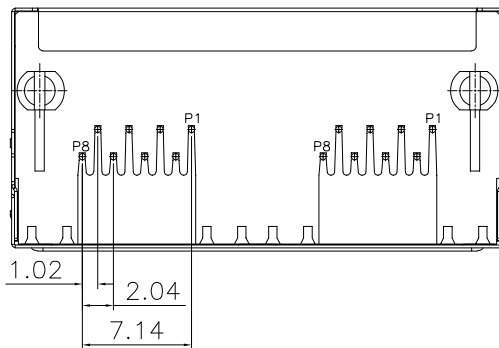
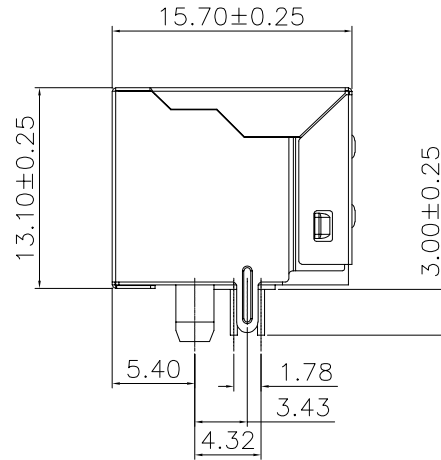
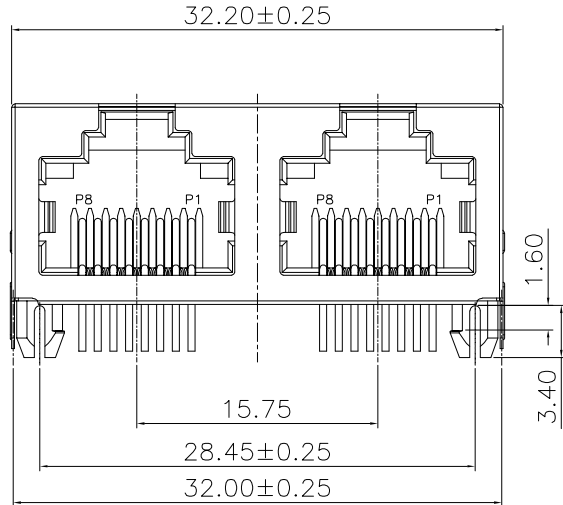
1. SHELL:Copper Alloy PLATING NICKEL
2. HOUSING:PA46 UL94V-0 BLACK
3. CONTACT MATERIAL:DIAMETER 0.46MM PHOSPHOR BRONZE GOLD PLATING OVER NICKEL.
4. OPERATING LIFE:750 CYCLES MIN.
5. MATING FORCE:22N MAX.

ENVIRONMENTAL:

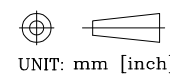
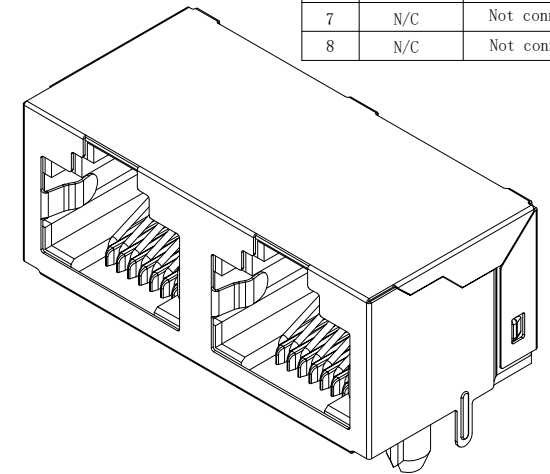
1. STORAGE:-40℃ TO +85℃
2. OPERATION:-40℃ TO +85℃

RJ45 Pin definition:

Pin位	Name	Description
1	TX+	Tranceive Data+
2	TX-	Tranceive Data-
3	RX+	Receive Data+
4	N/C	Not connected
5	N/C	Not connected
6	RX-	Receive Data-
7	N/C	Not connected
8	N/C	Not connected



RECOMMENDED P.C.B LAYOUT TOP VIEW (COMPONENT SIDE)



TOLERANCE:
 X.X ±0.35
 X.XX ±0.25
 X.XXX ±0.15
 Angle ±3.0°

SCALE:1:1 SIZE:A4



深圳市盈创利电子有限公司
 Shenzhen Ying Chuang Li Electronics co., LTD.

DESIGN:

CHECKED:

APPROVED:

PART NAME:

RJ45 5JA 1X2 90度 DIP 带屏蔽 无灯无弹

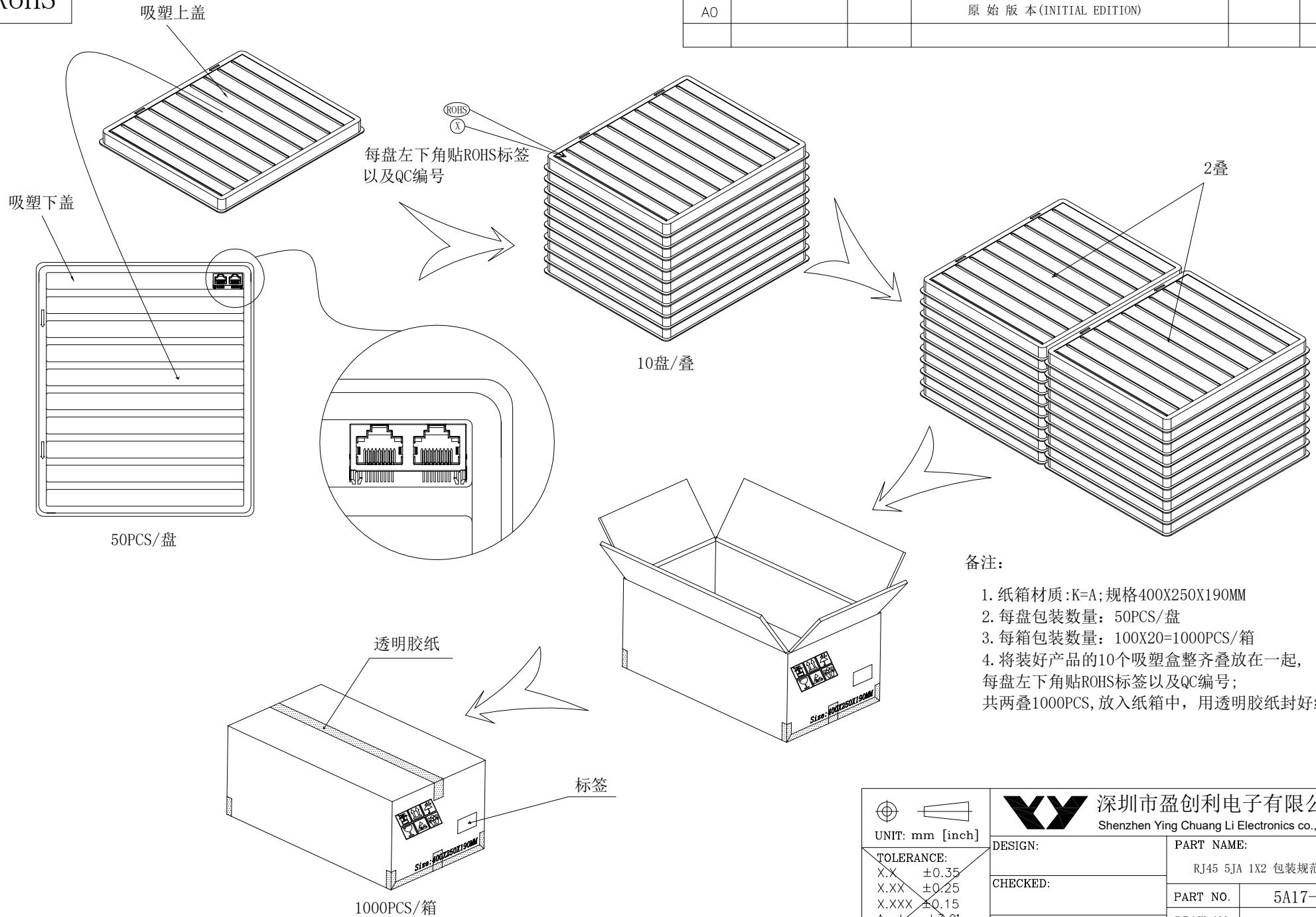
PART NO. 5A17-071K

DRAW NO.

SHEET NO. 1 OF 1

RoHS

REV.	ECN NO.	LOCATIONS	DESCRIPTION	DATE	DESIGN
A0			原始版本(INITIAL EDITION)		



备注:

1. 纸箱材质:K=A;规格400X250X190MM
2. 每盘包装数量: 50PCS/盘
3. 每箱包装数量: 100X20=1000PCS/箱
4. 将装好产品的10个吸塑盒整齐叠放在一起, 每盘左下角贴ROHS标签以及QC编号; 共两叠1000PCS, 放入纸箱中, 用透明胶纸封好纸箱。

 UNIT: mm [inch]	深圳市盈创利电子有限公司 Shenzhen Ying Chuang Li Electronics co., LTD.	
	DESIGN:	PART NAME: RJ45 5JA 1X2 包装规范
	CHECKED:	PART NO. 5A17-071K
	APPROVED:	DRAW NO.
SCALE:1:1 SIZE:A4	SHEET NO.	1 OF 1