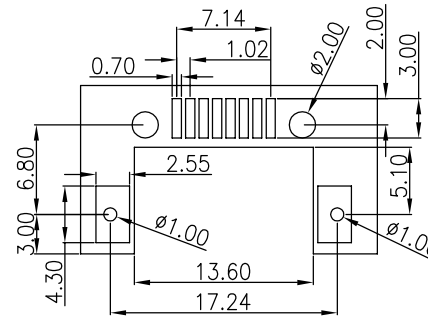
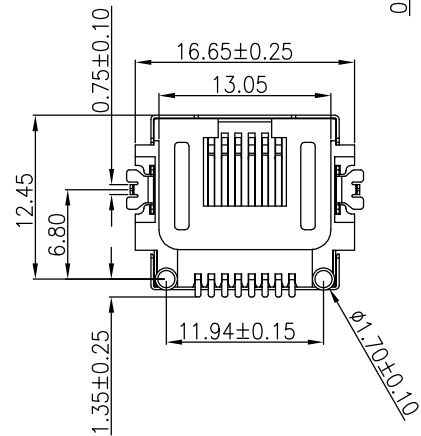
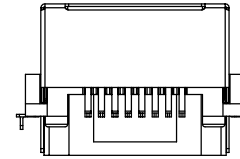
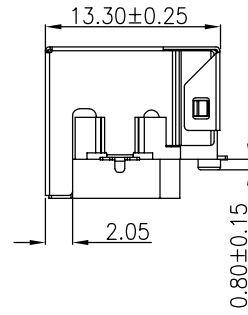
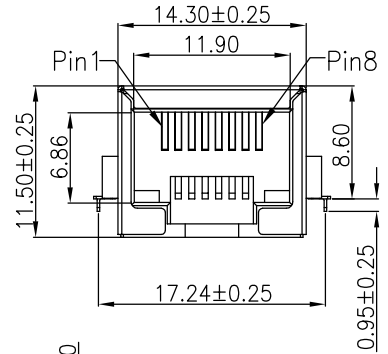
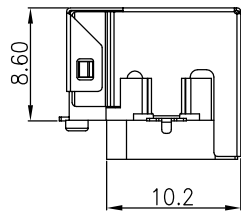
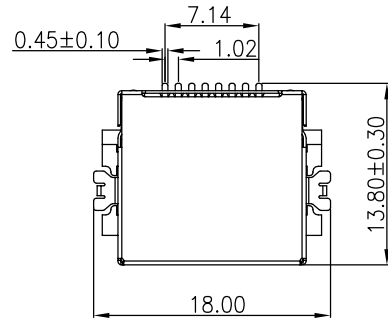


RoHS

REV.	ECN NO.	LOCATIONS	DESCRIPTION	DATE	DESIGN
A0			原始版本(INITIAL EDITION)		



PCBLAYOUT TOP VIEW  
TOL ±0.05

MATERIAL:

- 1.HOUSING:LCP UL94V-0; Color: Black
- 2.CONTACT:COPPER, T=0.30±0.02mm
- 3.SHELL:C2680, T=0.20±0.02mm

PLATED:

- CONTACT: GOLD Plated On Contact Area;  
Tin Plated On Solder Area.  
Nickel Underplating Over All.
- SHELL: Nickel Underplating Over All.

ELECTRICAL:

- 1. CONTACT RESISTANCE: 20mΩ MAX.
- 2. INSULATION RESISTANCE: 500MΩ MIN.
- 3. DIELECTRIC WITHSTANDING VOLATAGE: 1000V/AC 1 MINUTE

针脚定义:

Pin位	Name	Description
1	TX+	Tranceive Data+ (发信号+)
2	TX-	Tranceive Data- (发信号-)
3	RX+	Receive Data+ (收信号+)
4	N/C	Not connected (空脚)
5	N/C	Not connected (空脚)
6	RX-	Receive Data- (收信号-)
7	N/C	Not connected (空脚)
8	N/C	Not connected (空脚)

 <b>UNIT: mm [inch]</b> <b>TOLERANCE:</b> X.X ±0.35 X.XX ±0.25 X.XXX ±0.15 Angle ±3.0° <b>SCALE:1:1 SIZE:A4</b>	 <b>深圳市盈创利电子有限公司</b> Shenzhen Ying Chuang Li Electronics co., LTD.	
	DESIGN:	<b>PART NAME:</b> RJ45 8P8C 沉板式 SMT 无灯无弹 反向 载带包装
	CHECKED:	<b>PART NO.:</b> 5A08-057C
	APPROVED:	<b>DRAW NO.:</b> <b>SHEET NO.:</b>