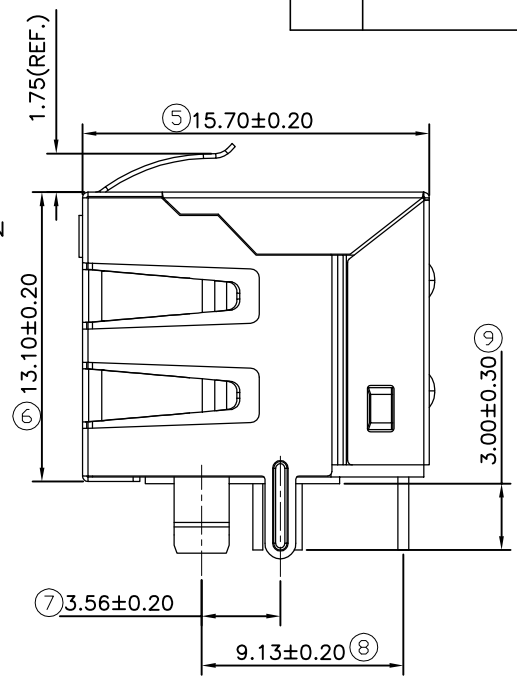
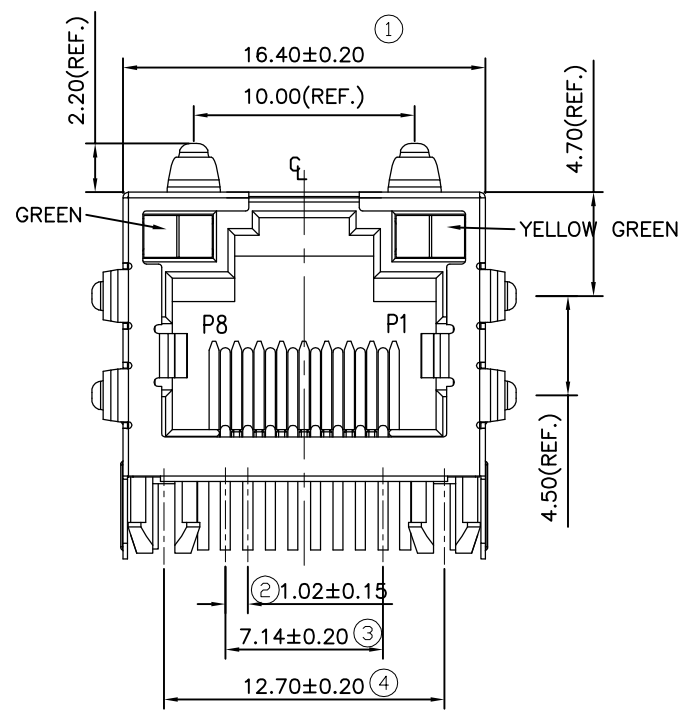
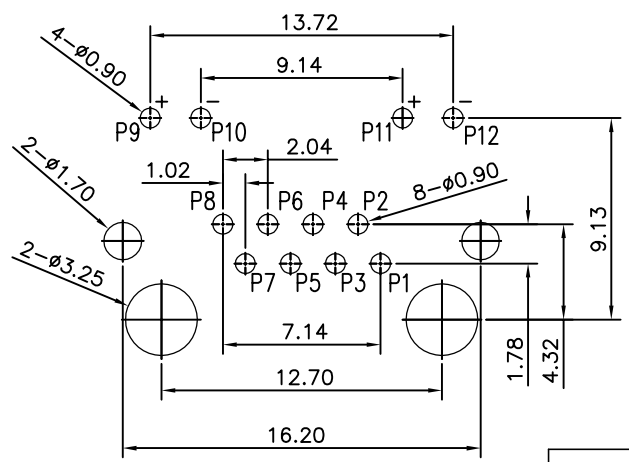
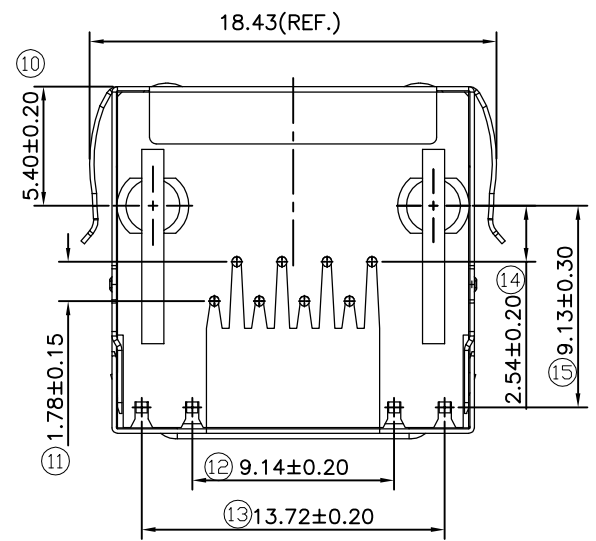
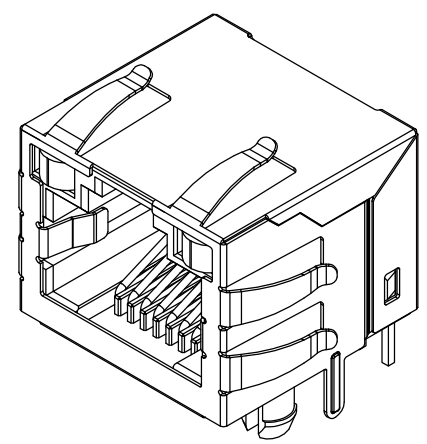
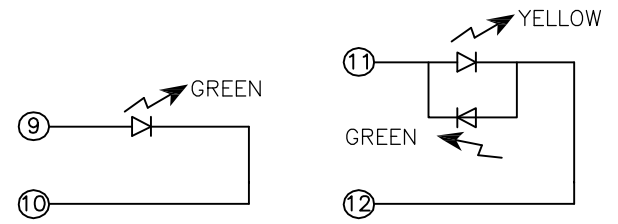


GP Component

REV.	ECN NO.	LOCATIONS	DESCRIPTION	DATE	DESIGN
A			原始版本 (INITIAL EDITION)		



- NOTE:
- MATERIAL:
 - HOUSING: PA46 BALCK
 - CONTACT: 0.46mm DIA COPPER ALLOY
 - SHELL: COPPER ALLOY
 - FINISH:
 - CONTACT: GOLD PLATED OVER
 - SHELL: NICKEL PLATING OVERALL
 - LED1: YELLOW
 - LED2: GREEN

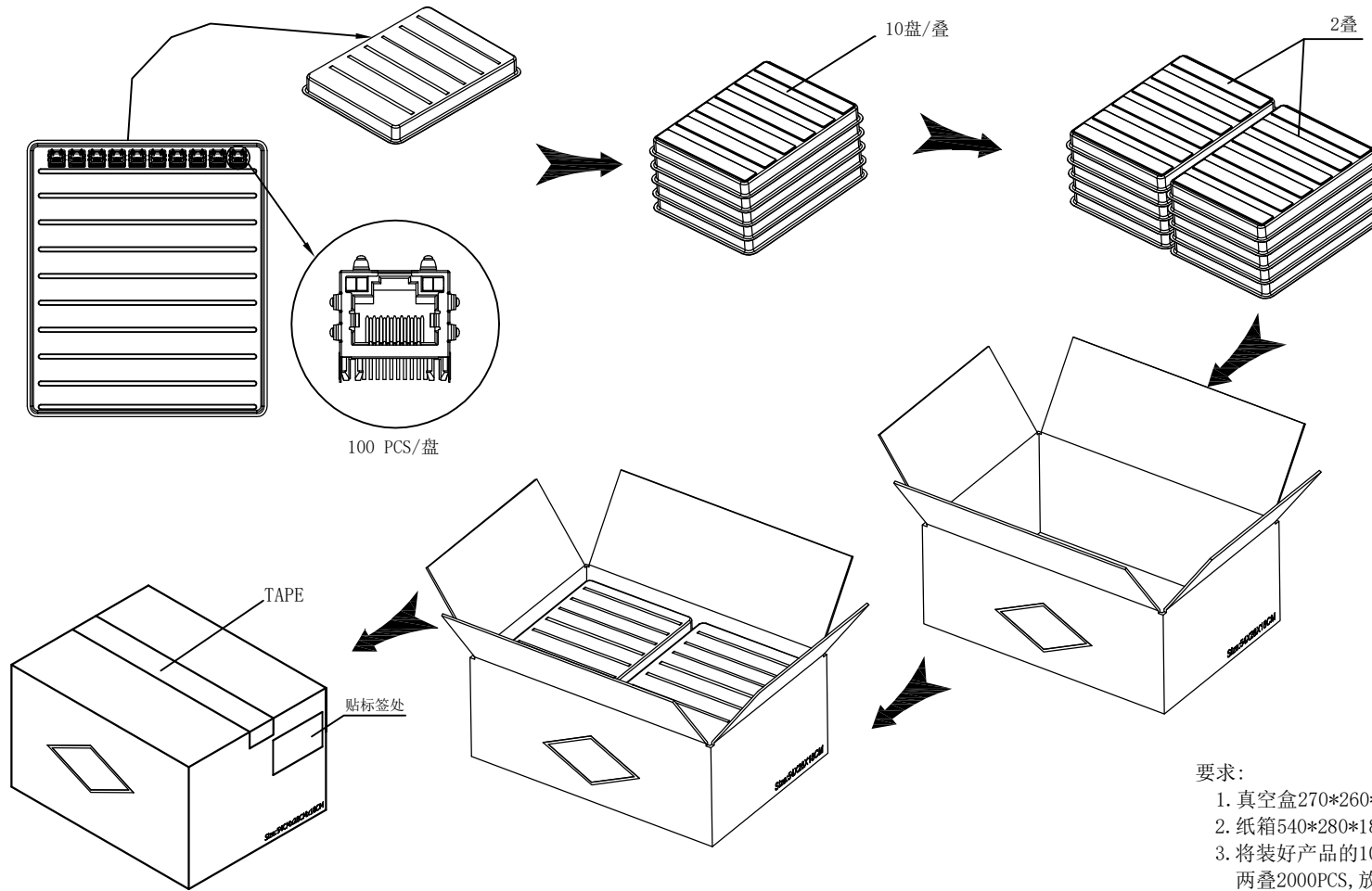


RECOMMENDED P.C.B LAYOUT
TOP VIEW (COMPONENT SIDE)

<p>UNIT: mm [inch]</p> <p>TOLERANCE: X.X ±0.35 X.XX ±0.25 X.XXX ±0.15 Angle ±3.0°</p> <p>SCALE:1:1 SIZE:A4</p>	<p>深圳市盈创利电子有限公司 Shenzhen Ying Chuang Li Electronics co., LTD.</p>	
	DESIGN: CHECKED: APPROVED:	PART NAME: RJ45 单口 5JA DIP 竖脚 有灯有弹 PART NO. 5A06-214D DRAW NO. SHEET NO. 1 OF 1

RoHS

REV.	ECN NO.	LOCATIONS	DESCRIPTION	DATE	DESIGN
A0			原始版本(INITIAL EDITION)		



UNIT: mm [inch]

TOLERANCE:
 X.X ±0.35
 X.XX ±0.25
 X.XXX ±0.15
 Angle ±3.0°

SCALE:1:1 SIZE:A4



深圳市盈创利电子有限公司
 Shenzhen Ying Chuang Li Electronics co., LTD.

DESIGN:

PART NAME:

RJ45 5JA 带灯带弹 包装规范

CHECKED:

PART NO.

APPROVED:

DRAW NO.

SHEET NO.