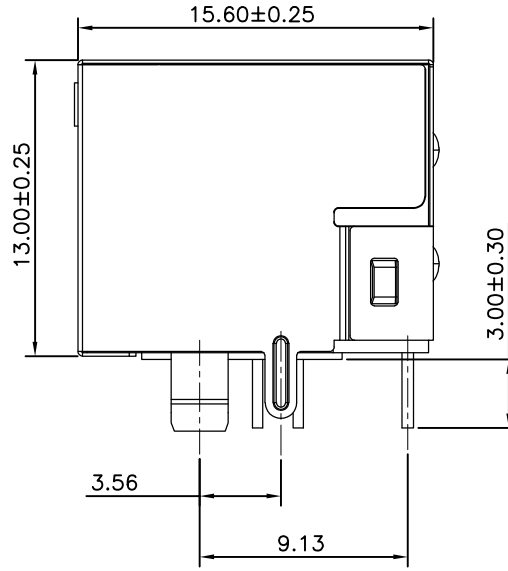
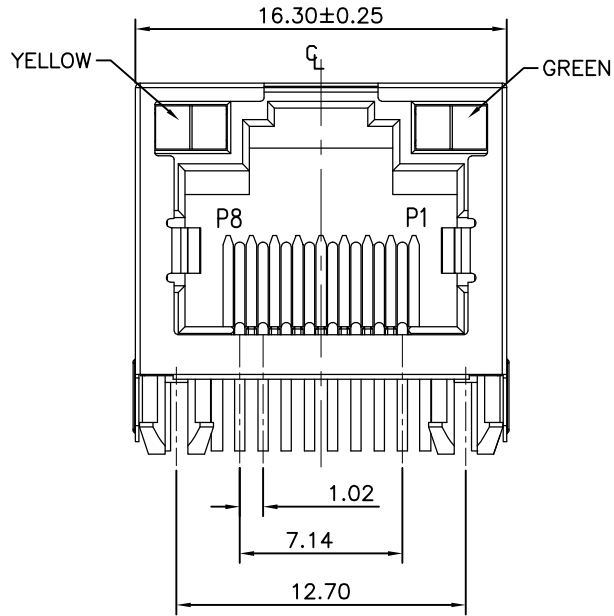


GP Component

REV.	ECN NO.	LOCATIONS	DESCRIPTION	DATE	DESIGN
A			原始版本(INITIAL EDITION)		



NOTE:

ELECTRICAL:

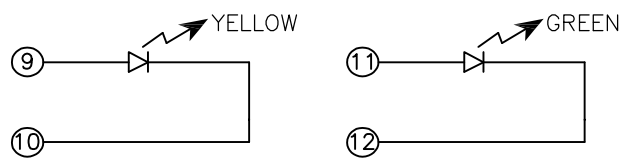
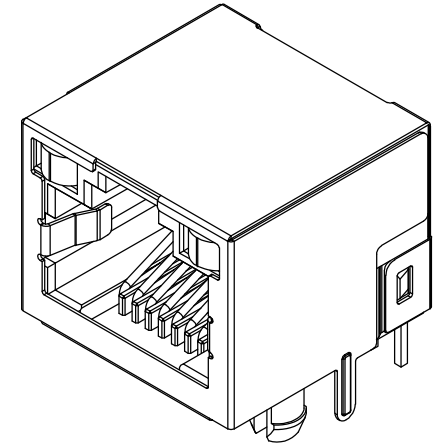
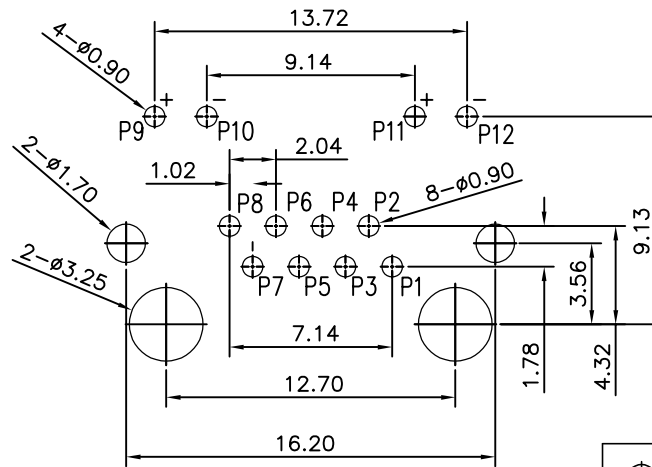
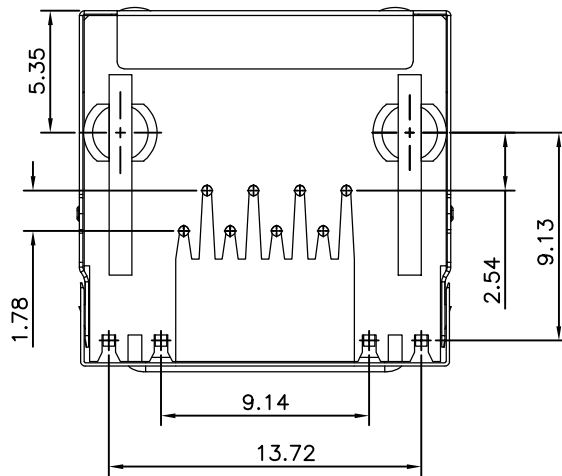
1. VOLTAGE RATING: 125V AC RMS.
2. CURRENT RATING: 1.5 AMP.
3. CONTACT RESISTANCE: 30 mΩ MAX.
4. INSULATION RESISTANCE: 500 MΩ MIN @ 500V DC.
5. DIELECTRIC STRENGTH: 1000V AC 50Hz or 60Hz, 1MIN.




MECHANICAL:

1. INSERT MATERIAL: PA46 BLACK UL94V-0
2. CONTACT MATERIAL: DIAMETER 0.46mm C51000(QSn4-0.3) PHOSPHOR BRONZE GOLD PLATING OVER NICKEL.
3. SHELL: Copper Alloy NICKEL PLATING. 30U"
4. MATING/UNMATING FORCE: 2.2KG. F MAX.
5. RETENTION STRENGTH: 7.7KG. F MIN BETWEEN JACK AND PLUG.
6. OPERATING LIFE: 750 CYCLES MIN.

ENVIRONMENTAL:

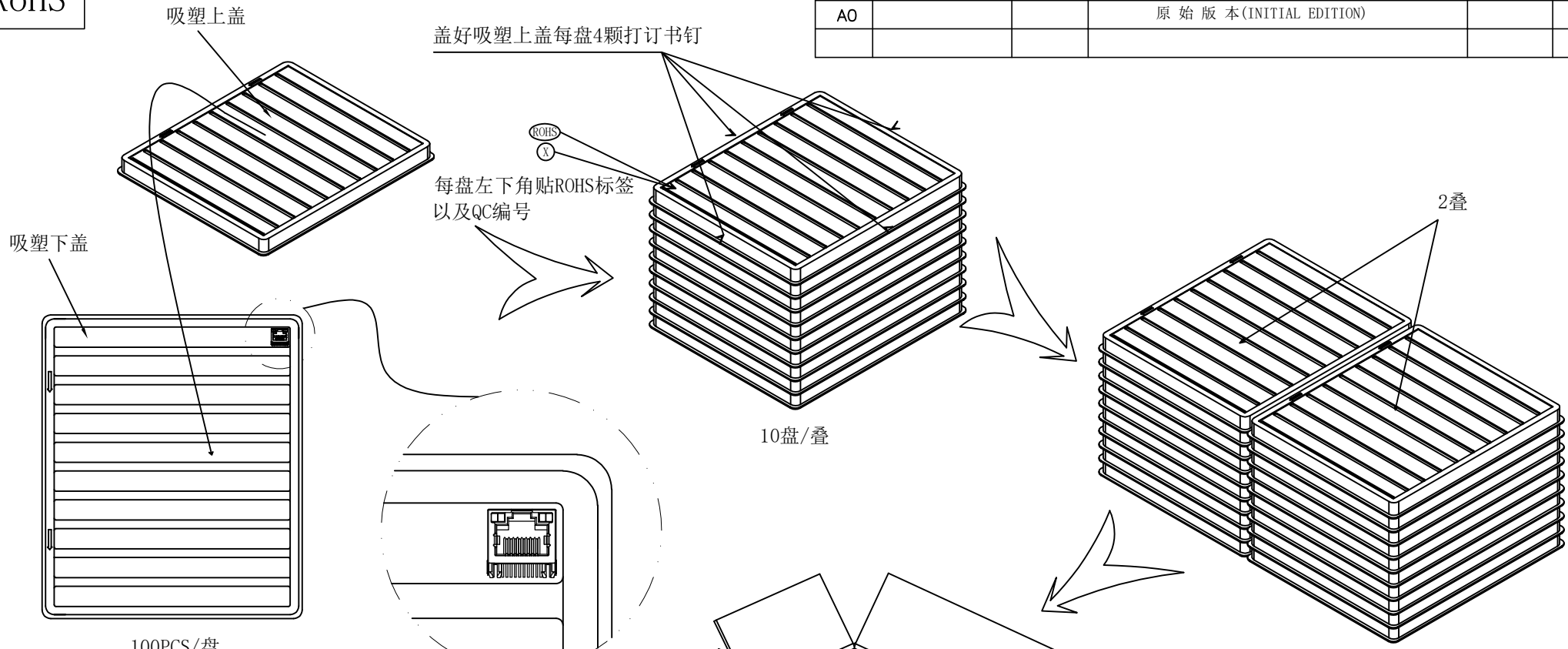
1. STORAGE: -40°C ~ +85°C RELATIVE HUMIDITY<70%.
2. OPERATION: -40°C ~ +85°C.



 UNIT: mm [inch]		 深圳市盈创利电子有限公司 Shenzhen Ying Chuang Li Electronics co., LTD.	
		DESIGN:	PART NAME:
TOLERANCE:		RJ45 单口 5JA DIP 竖脚 有灯无弹	
X.X ±0.35		PART NO.	5A06-020H
X.XX ±0.25		DRAW NO.	
X.XXX ±0.15		SHEET NO.	1 OF 1
Angle ±3.0'			
SCALE:1:1	SIZE:A4		

RoHS

REV.	ECN NO.	LOCATIONS	DESCRIPTION	DATE	DESIGN
A0			原始版本(INITIAL EDITION)		

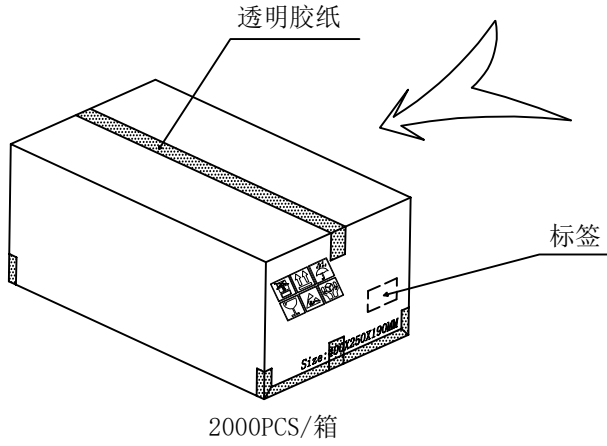


盖好吸塑上盖每盘4颗打订书钉

每盘左下角贴ROHS标签以及QC编号

备注:

1. 纸箱材质:K=A;规格400X250X190MM
2. 每盘包装数量:100PCS/盘
3. 每箱包装数量:100X20=2000PCS/箱
4. 将装好产品的10个吸塑盒整齐叠放在一起,每盘打4颗订书钉;每盘左下角贴ROHS标签以及QC编号共两叠2000PCS,放入纸箱中,用透明胶纸封好纸箱。



<p>UNIT: mm [inch]</p> <p>TOLERANCE:</p> <p>X.X ±0.35</p> <p>X.XX ±0.25</p> <p>X.XXX ±0.15</p> <p>Angle ±3.0°</p> <p>SCALE:1:1 SIZE:A4</p>	<p>深圳市盈创利电子有限公司</p> <p>Shenzhen Ying Chuang Li Electronics co., LTD.</p>	
	DESIGN:	PART NAME:
	CHECKED:	RJ45 单口 5JA DIP 竖脚 有灯无弹
	APPROVED:	PART NO. 5A06-020H
	DRAW NO.	
	SHEET NO.	1 OF 1