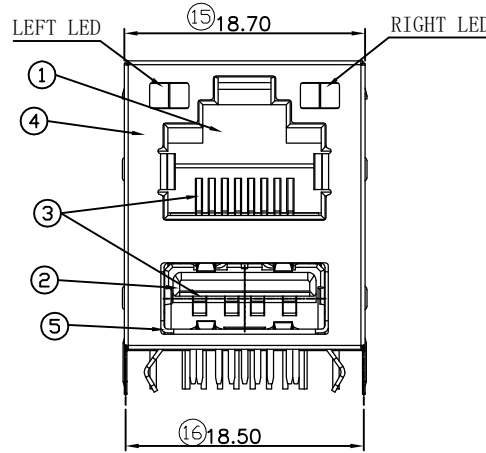
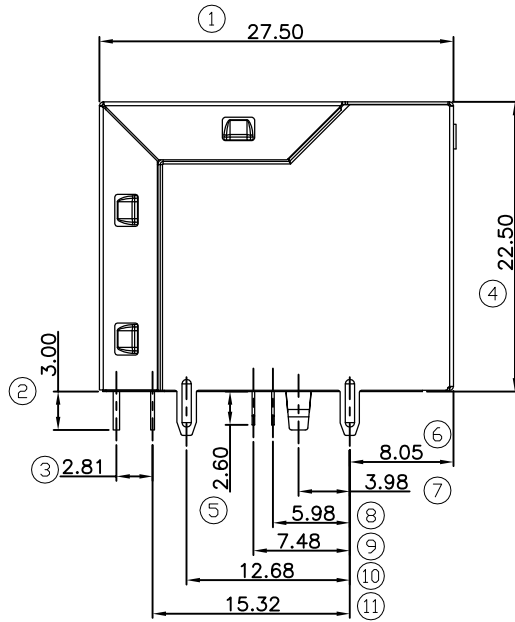


RoHS

REV.	ECN NO.	LOCATIONS	DESCRIPTION	DATE	DESIGN
A0			原始版本(INITIAL EDITION)		



NOTES:

MATERIAL:

1. BRACKET :PBT BLACK UL94V-0
2. USB HOUSING :LCP BLUE UL94V-0
3. CONTACT:Copper alloy gold-plated tin nickel plating
4. SHELL:Copper alloy nickel plating.
5. USB SHELL:Copper alloy nickel plating

ELECTRICAL:

1. VOLTAGE RATING:125 VAC RMS.
2. CURRENT RATING:1.5 AMP.
3. CONTACT RESISTANCE:30 MILLIOHMS MAX.
4. INSULATION RESISTANCE:500 MEGOHMS MIN @ 500V DC .
5. DIELECTIC WITHSTANDING VOLTAGE:
500V AC RMS 50Hz. 1MIN.DC

MECHANICAL:

1. DURRABILITY:750 CYCLES MIN.
2. PCB RETENTION PRE-SOLDER:1LB MIN.

ENVIRONMENTAL:

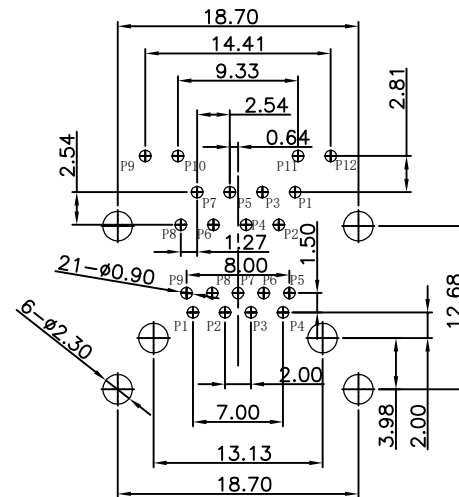
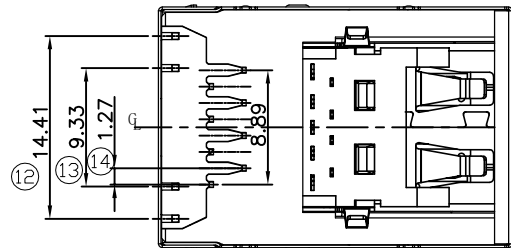
1. STORAGE: -40°C ~+85°C

RJ45 Pin definition:

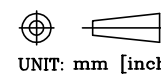
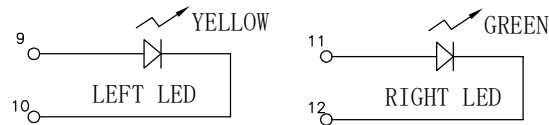
Pin位	Name	Description
1	TX+	Tranceive Data+
2	TX-	Tranceive Data-
3	RX+	Receive Data+
4	N/C	Not connected
5	N/C	Not connected
6	RX-	Receive Data-
7	N/C	Not connected
8	N/C	Not connected

USB Pin definition:

Pin NUMBER	SIGNAL NAME
1	VBUS
2	D-
3	D+
4	GND
5	StdA_SSRX-
6	StdA_SSRX+
7	GND_DRAIN
8	StdA_SSTX-
9	StdA_SSTX+
Shell	Shield



RECOMMENDED P. C. B LAYOUT
TOP VIEW (COMPONENT SIDE)



TOLERANCE:
 X.X ±0.35
 X.XX ±0.25
 X.XXX ±0.15
 Angle ±3.0°

SCALE:1:1 SIZE:A4



深圳市盈创利电子有限公司
 Shenzhen Ying Chuang Li Electronics co., LTD.

DESIGN:

CHECKED:

APPROVED:

PART NAME:

RJ45+单层USB3.0 有灯无弹

PART NO.

5A02-017A

DRAW NO.

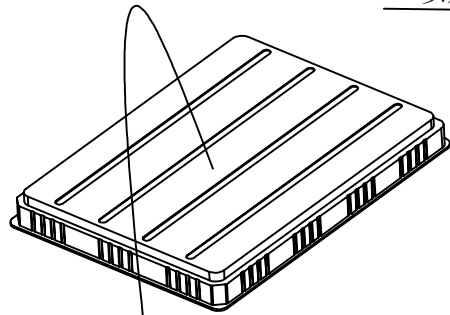
SHEET NO.

1 OF 1

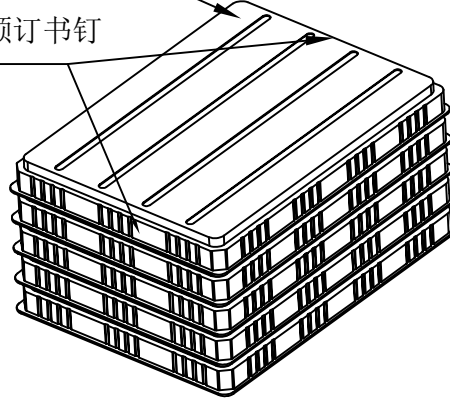
RoHS

每盘贴ROHS标签
以及QC编号

REV.	ECN NO.	LOCATIONS	DESCRIPTION	DATE	DESIGN
A0			原始版本(INITIAL EDITION)		

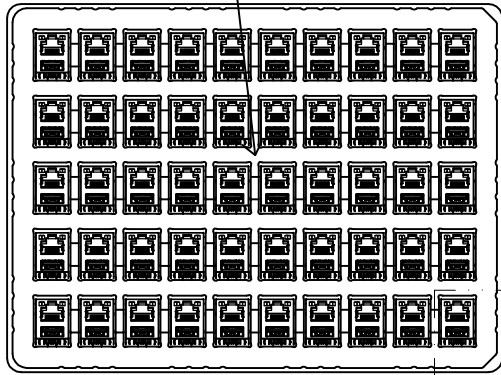
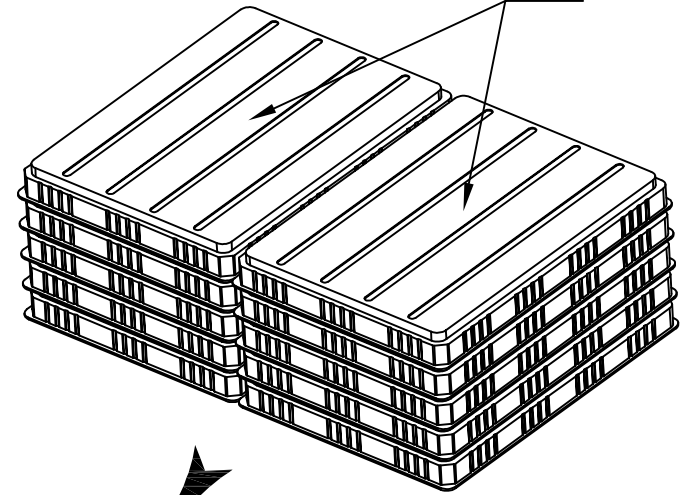


每盘打2颗订书钉

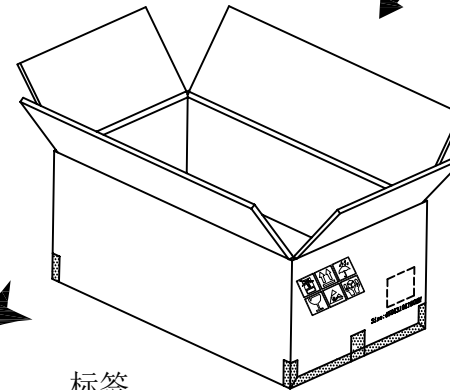
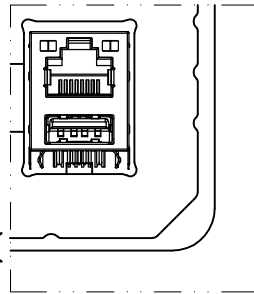


5盘/叠

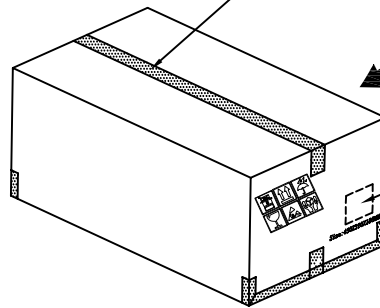
2叠



50/盘



透明胶纸

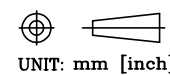


标签

500PCS/箱

要求:

1. 真空盒310*230*33mm, 不可有破损, 50PCS/盒。
2. 纸箱450*310*180mm, 材质: K=A, 不可有破损。
3. 将装好产品的5个真空盒整齐叠放在一起, 共两叠500PCS, 放入纸箱中, 用透明胶纸封好纸箱。



UNIT: mm [inch]

TOLERANCE:

X.X ±0.35

X.XX ±0.25

X.XXX ±0.15

Angle ±3.0'

SCALE:1:1 SIZE:A4



深圳市盈创利电子有限公司
Shenzhen Ying Chuang Li Electronics co., LTD.

DESIGN:

PART NAME:

RJ45+单层USB 包装规范

CHECKED:

PART NO.

5A02-017A

APPROVED:

DRAW NO.

SHEET NO.

1 OF 1