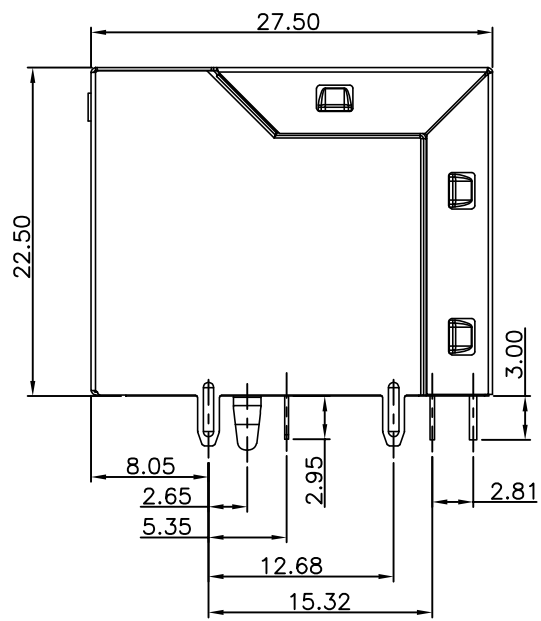
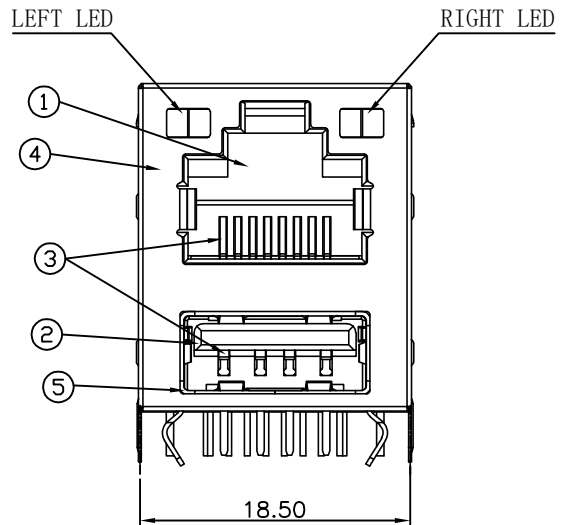


RoHS

| REV. | ECN NO. | LOCATIONS | DESCRIPTION | DATE | DESIGN |
|------|---------|-----------|-----------------------|------|--------|
| A0 | | | 原始版本(INITIAL EDITION) | | |

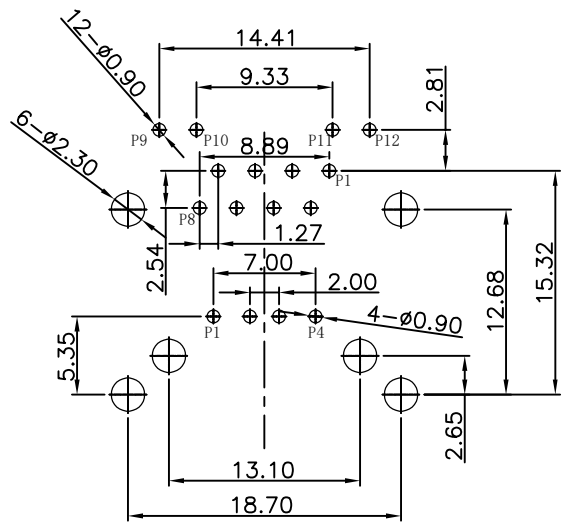
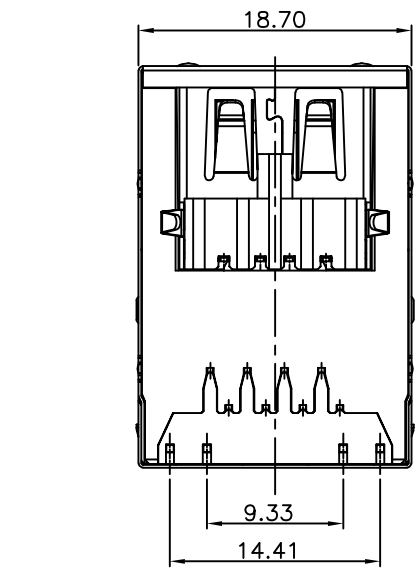


NOTES:
 MATERIAL:
 1. BRACKET :PBT BLACK UL94V-0
 2. USB HOUSING :PBT WHITE UL94V-0
 3. CONTACT:Copper alloy gold-plated tin nickel plating
 4. SHELL:Copper alloy nickel plating.
 5. USB SHELL:SPCC copper plating and nickel plating

ELECTRICAL:
 1. VOLTAGE RATING:125 VAC RMS.
 2. CURRENT RATING:1.5 AMP.
 3. CONTACT RESISTANCE:30 MILLIOHMS MAX.
 4. INSULATION RESISTANCE:500 MEGOHMS MIN @ 500V DC .
 5. DIELECTIC WITHSTANDING VOLTAGE:
 500V AC RMS 50Hz. 1MIN. DC

MECHANICAL:
 1. DURRABILITY:750 CYCLES MIN.
 2. PCB RETENTION PRE-SOLDER:1LB MIN.

ENVIRONMENTAL:
 1. STORAGE: -40°C ~+85°C

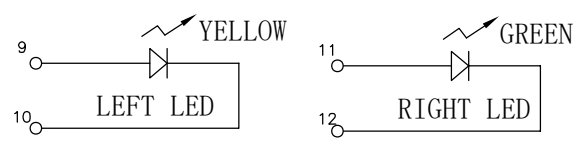


RJ45 Pin definition:


| Pin位 | Name | Description |
|------|------|-----------------|
| 1 | TX+ | Tranceive Data+ |
| 2 | TX- | Tranceive Data- |
| 3 | RX+ | Receive Data+ |
| 4 | N/C | Not connected |
| 5 | N/C | Not connected |
| 6 | RX- | Receive Data- |
| 7 | N/C | Not connected |
| 8 | N/C | Not connected |

USB Pin definition:

| Pin NUMBER | SIGNAL NAME |
|------------|-------------|
| 1 | VBUS |
| 2 | D- |
| 3 | D+ |
| 4 | GND |
| Shell | Shield |



RECOMMENDED P. C. B LAYOUT TOP VIEW (COMPONENT SIDE)



深圳市盈创利电子有限公司
Shenzhen Ying Chuang Li Electronics co., LTD.

DESIGN:

CHECKED:

APPROVED:

SCALE:1:1 SIZE:A4

PART NAME:
RJ45+单层USB2.0 有灯无弹

PART NO. 5A02-003A

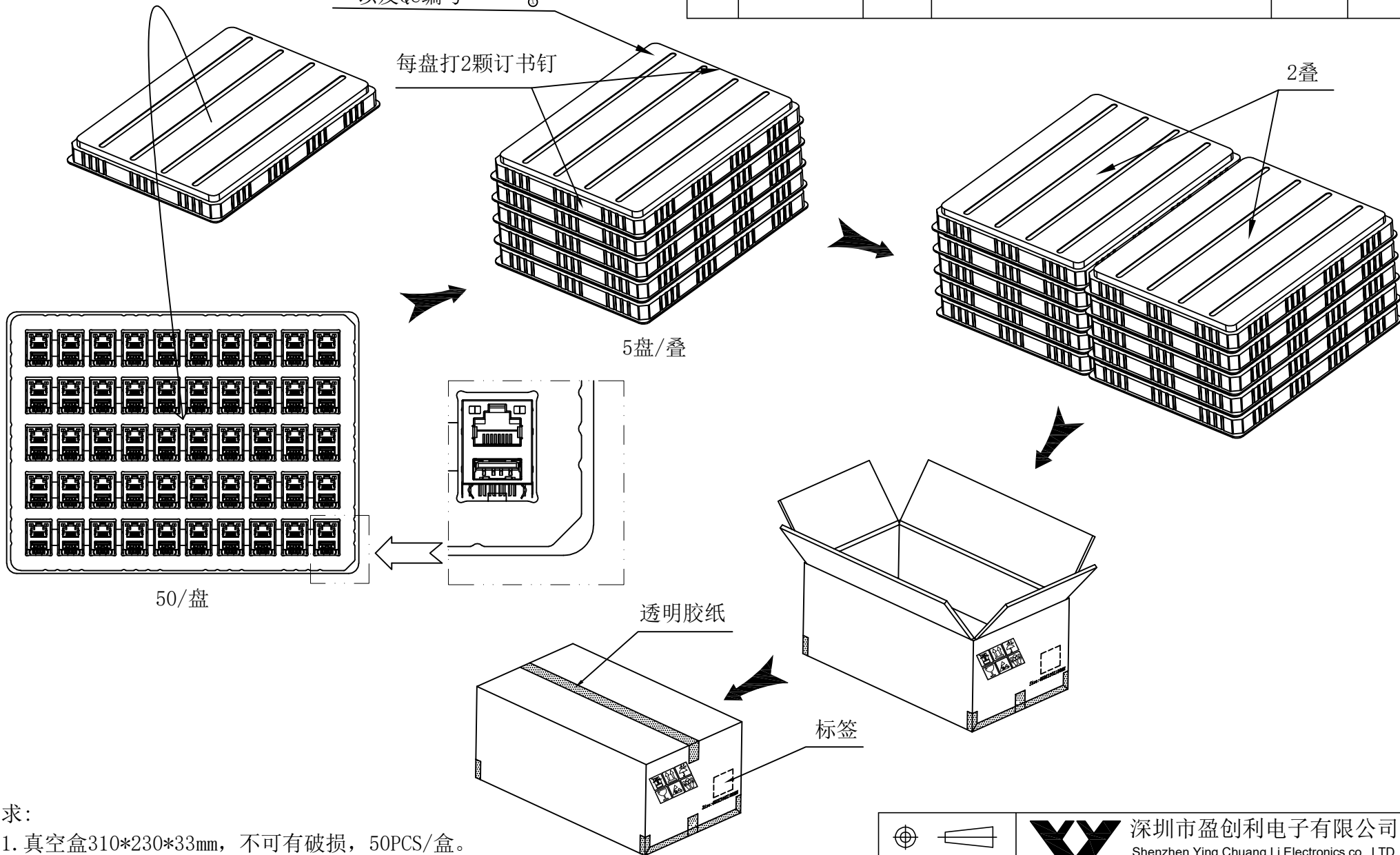
DRAW NO.

SHEET NO. 1 OF 1

RoHS

每盘贴ROHS标签
以及QC编号

| REV. | ECN NO. | LOCATIONS | DESCRIPTION | DATE | DESIGN |
|------|---------|-----------|-----------------------|------|--------|
| A0 | | | 原始版本(INITIAL EDITION) | | |



要求:

1. 真空盒310*230*33mm, 不可有破损, 50PCS/盒.
2. 纸箱450*310*180mm, 材质: K=A, 不可有破损.
3. 将装好产品的5个真空盒整齐叠放在一起, 共两叠500PCS, 放入纸箱中, 用透明胶纸封好纸箱.

| | | |
|--|--|--------------------|
| <p>UNIT: mm [inch]</p> <p>TOLERANCE:</p> <p>X.X ±0.35</p> <p>X.XX ±0.25</p> <p>X.XXX ±0.15</p> <p>Angle ±3.0°</p> <p>SCALE:1:1 SIZE:A4</p> | <p>深圳市盈创利电子有限公司</p> <p>Shenzhen Ying Chuang Li Electronics co., LTD.</p> | |
| | DESIGN: | PART NAME: |
| | CHECKED: | RJ45+单层USB 包装规范 |
| | APPROVED: | PART NO. 5A02-003A |
| | | DRAW NO. |
| | | SHEET NO. 1 OF 1 |