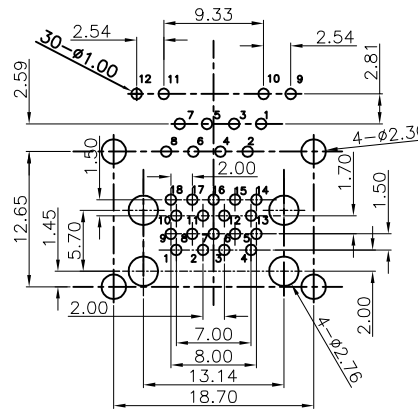
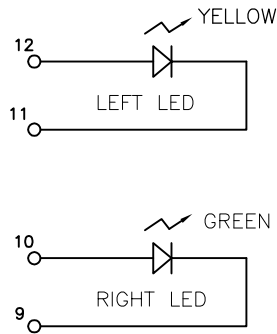
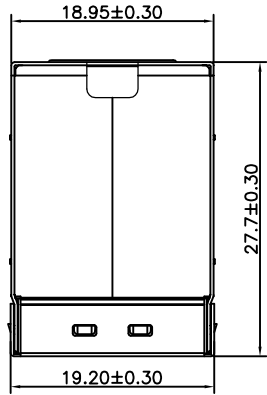


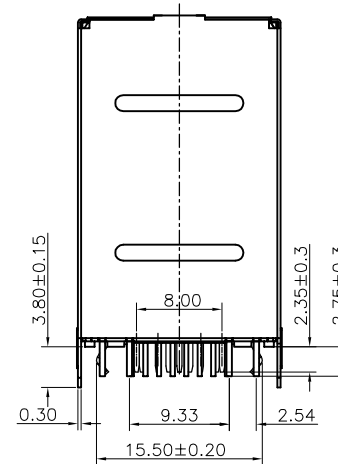
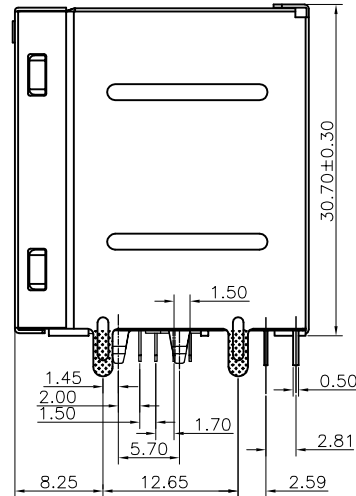
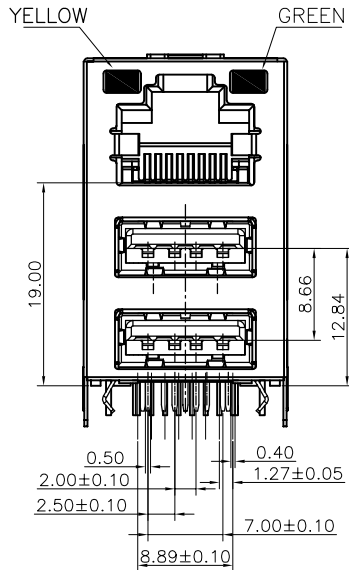
RoHS

REV.	ECN NO.	LOCATIONS	DESCRIPTION	DATE	DESIGN
A0			原始版本 (INITIAL EDITION)		



RECOMMENDED P.C.B. PATTERN LAYOUT
COMPONENT SIDE SHOWN

Housing: PBT Black UL94V-0
 Contact: Copper Alloy
 Shell: SPCC
 USB Shell: SPCC
 Voltage Current Rating: 1.5 AMP. 30V AC
 Insulation Resistance: 1000MΩ Min.
 Contact Resistance: 30 mΩ Max.
 Dielectric Withstanding Voltage: 500V AC
 Temperature Range: -55°C to +85°C
 Contact: Tin Plating 100u" on solder tail area, RJ45 Gold plating G.F on contact area. USB Gold plating G.F on contact area, 30u" min Ni underplating over all.
 Shell Plating Cu bottom 50u" Plating Ni 80u"



RJ45 Pin definition:

Pin位	Name	Description
1	TX+	Tranceive Data+
2	TX-	Tranceive Data-
3	RX+	Receive Data+
4	N/C	Not connected
5	N/C	Not connected
6	RX-	Receive Data-
7	N/C	Not connected
8	N/C	Not connected

USB Pin definition:

Pin NUMBER	SIGNAL NAME
1	VBUS
2	D-
3	D+
4	GND
5	StdA_SSRX-
6	StdA_SSRX+
7	GND_DRAIN
8	StdA_SSTX-
9	StdA_SSTX+
10	VBUS
11	D-
12	D+
13	GND
14	StdA_SSRX-
15	StdA_SSRX+
16	GND_DRAIN
17	StdA_SSTX-
18	StdA_SSTX+
Shell	Shield

UNIT: mm [inch]

TOLERANCE:
 X.X ±0.35
 X.XX ±0.25
 X.XXX ±0.15
 Angle ±3.0°

SCALE:1:1 SIZE:A4



深圳市盈创利电子有限公司
 Shenzhen Ying Chuang Li Electronics co., LTD.

DESIGN: 黄宝樑

CHECKED:

APPROVED:

PART NAME: RJ45+双层USB3.0 左黄右绿

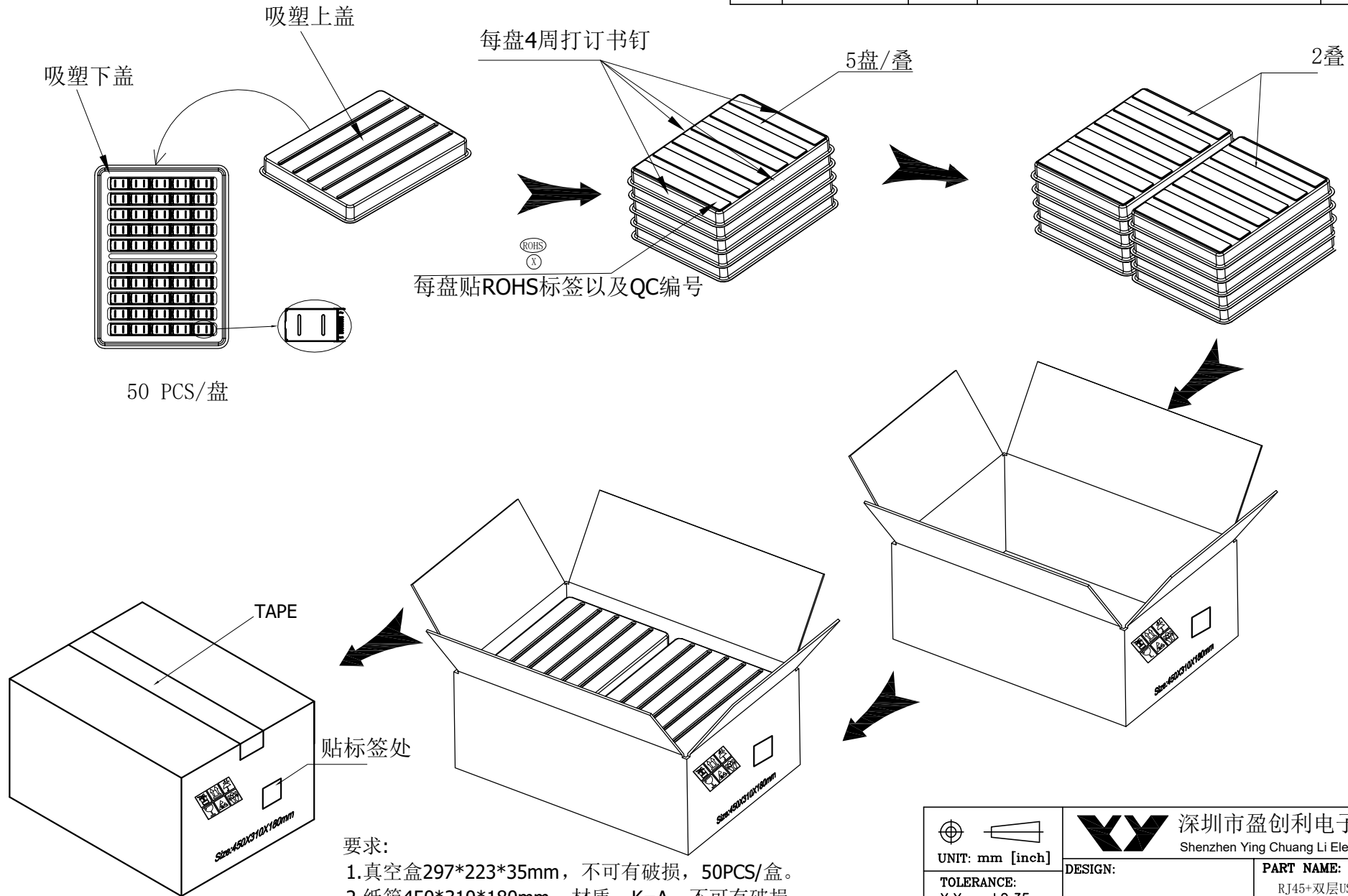
PART NO. 5A01-008J

DRAW NO.

SHEET NO. 1 OF 1

RoHS

REV.	ECN NO.	LOCATIONS	DESCRIPTION	DATE	DESIGN
A0			原始版本(INITIAL EDITION)		



- 要求:
- 1.真空盒297*223*35mm,不可有破损,50PCS/盒。
 - 2.纸箱450*310*180mm,材质:K=A,不可有破损。
 - 3.将装好产品的5个吸塑盒整齐叠放在一起,每盘四周打订书钉并贴上ROHS标签以及QC编号,共两叠500PCS,放入纸箱中,用封箱胶纸封好纸箱。

 UNIT: mm [inch]	深圳市盈创利电子有限公司 Shenzhen Ying Chuang Li Electronics co., LTD.	
	DESIGN:	PART NAME: RJ45+双层USB包装规范
TOLERANCE: X.X ±0.35 X.XX ±0.25 X.XXX ±0.15 Angle ±3.0°	CHECKED:	PART NO. 5A01-008J
SCALE:1:1 SIZE:A4	APPROVED:	DRAW NO.
		SHEET NO. 1 OF 1