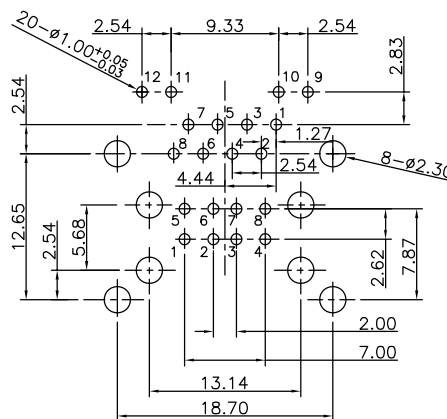
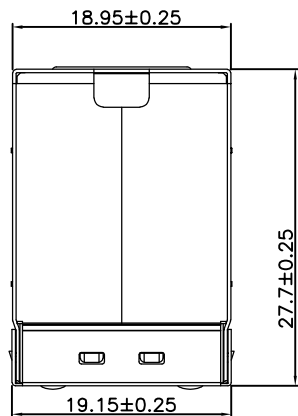


RoHS

REV.	ECN NO.	LOCATIONS	DESCRIPTION	DATE	DESIGN
A0			原始版本(INITIAL EDITION)		



RECOMMENDED P.C.B. PATTERN LAYOUT
COMPONENT SIDE SHOWN

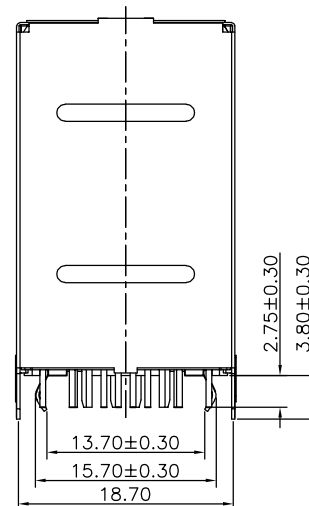
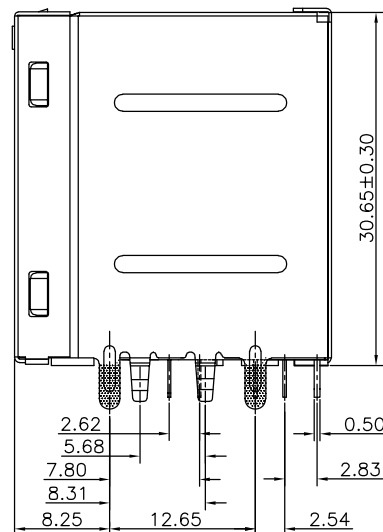
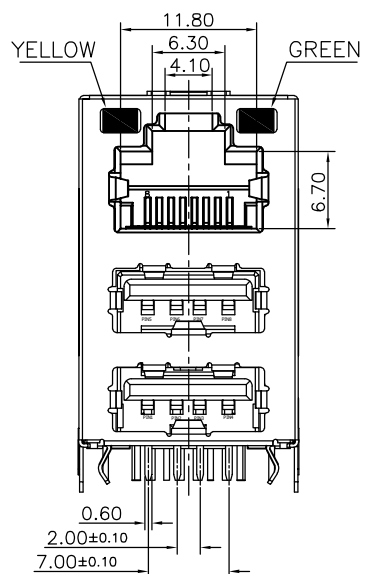
Housing:PBT Black
Contact:Copper Alloy
Shell:SPCC
Voltage Rating:125V AC RMS
Current Rating:1.5 AMP.
Contact Resistance:30 mΩ Max.
Insulation Resistance:1000MΩ Min @500 VDC.
Dielectric Withstanding Voltage:1000V AC RMS 60Hz. 1Min
Temperature Range:-55°C to +85°C
Contact: Tin Plating 100u" on solder tail area, RJ45 Gold plating G.F on contact area. USB Gold plating G.F on contact area, 30u" min Ni underplating over all.
Shell Plating Cu bottom 50u" Plating Ni 80u"

RJ45 Pin definition:

USB Pin definition:

Pin#	Name	Description
1	TX+	Tranceive Data+
2	TX-	Tranceive Data-
3	RX+	Receive Data+
4	N/C	Not connected
5	N/C	Not connected
6	RX-	Receive Data-
7	N/C	Not connected
8	N/C	Not connected

Pin NUMBER	SIGNAL NAME
1	VBUS
2	D-
3	D+
4	GND
5	VBUS
6	D-
7	D+
8	GND
Shell	Shield

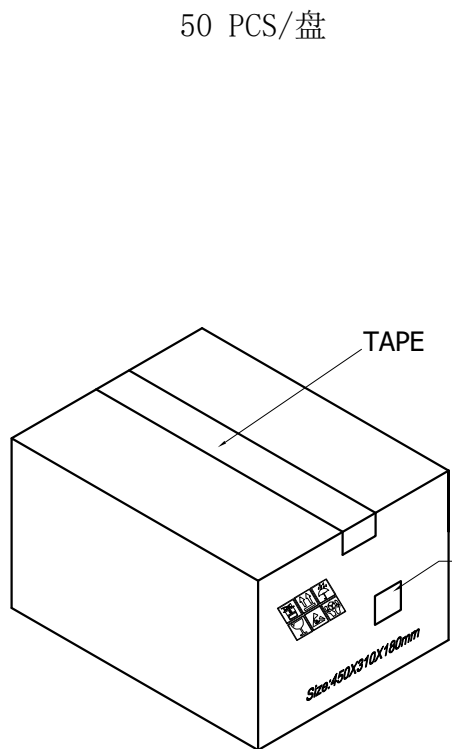
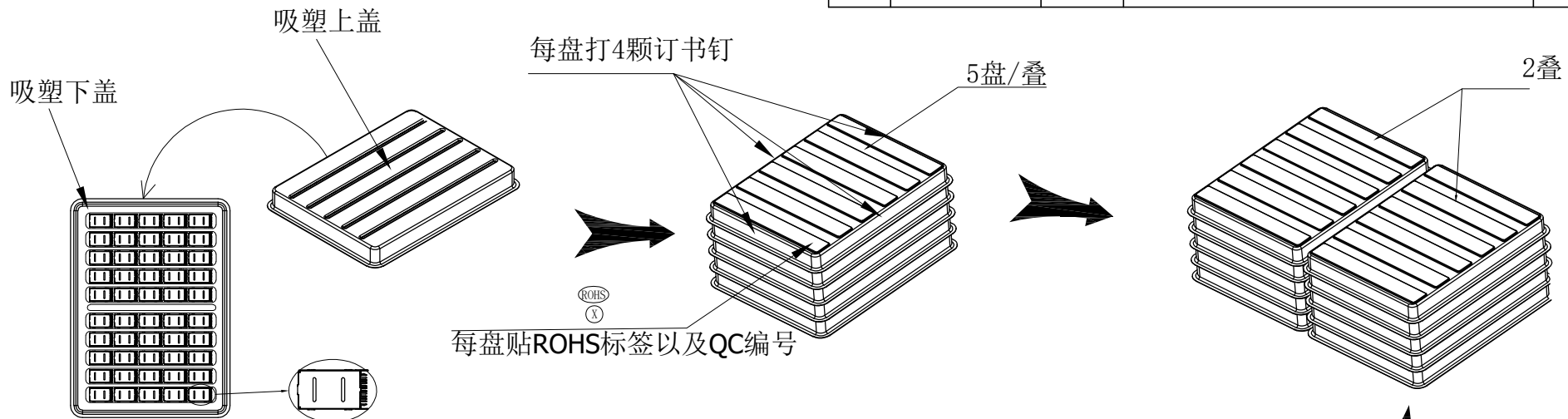


ITEM	DE.SC.RIPTION	QTY	MATERIAL	REMARK
RJ terminal	7	C5191 T=0.30	50 μ"min.Nickel overall, Contact area overgild gold plating FU	Solder Tail:80 μ"min.Bright Tin
USB terminal	6	C2680 T=0.25	50 μ"min.Nickel overall, Contact area overgild gold plating FU	Solder Tail:80 μ"min.Bright Tin
USB Housing	5	PBT UL94V-0	COLOR:Black	
Bracket	4	PBT UL94V-0	COLOR:Black	
Rear shell	2	SPCC T=0.30	Overall nickel plating 50u"min	
Front shell	1	SPCC T=0.30	Overall nickel plating 50u"min	

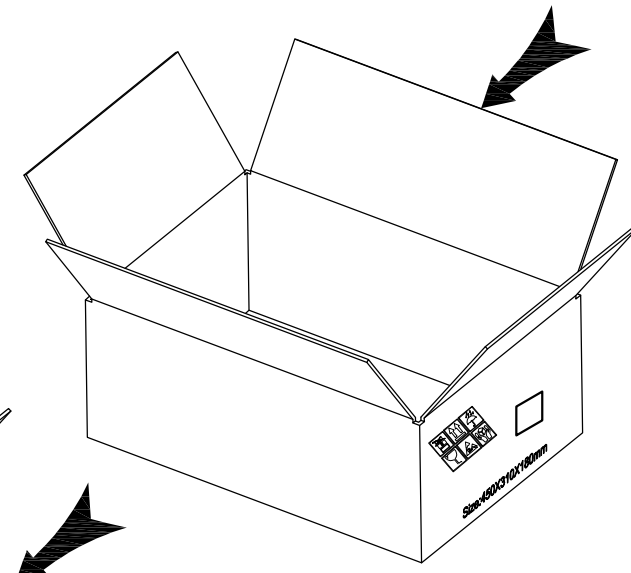
 UNIT: mm [inch] TOLERANCE: X.X ±0.35 X.XX ±0.25 X.XXX ±0.15 Angle ±3.0'	 深圳市盈创利电子有限公司 Shenzhen Ying Chuang Li Electronics co., LTD.	
	DESIGN:	PART NAME: RJ45+双层USB2.0 LED左黄右绿带 无LOGO
	CHECKED:	PART NO. 5A01-005J
	APPROVED:	DRAW NO.
SCALE:1:1 SIZE:A4	SHEET NO. 1 OF 1	



RoHS

REV.	ECN NO.	LOCATIONS	DESCRIPTION	DATE	DESIGN
A0			原始版本(INITIAL EDITION)		



- 要求:
- 1.真空盒297*223*35mm, 不可有破损, 50PCS/盒。
 - 2.纸箱450*310*180mm, 材质: K=A, 不可有破损。
 - 3.将装好产品的5个吸塑盒整齐叠放在一起, 每盘打4颗订书钉并贴上ROHS标签以及QC编号, 共两叠500PCS, 放入纸箱中, 用封箱胶纸封好纸箱。



 UNIT: mm [inch]	 深圳市盈创利电子有限公司 Shenzhen Ying Chuang Li Electronics co., LTD.	
	DESIGN:	PART NAME: RJ45+双层USB包装规范
TOLERANCE: X.X ±0.35 X.XX ±0.25 X.XXX ±0.15 Angle ±3.0°	CHECKED:	PART NO. 5A01-005J
APPROVED:		DRAW NO.
SCALE:1:1 SIZE:A4		SHEET NO. 1 OF 1